

LED Pulse Counters – Codix 520

- Simple programmable pulse counter
- Single channel totaliser



Power supply
DC



Front bezel
dimensions



Wide temper-
ature range



High IP
protection
rating



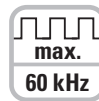
Menu-driven
programming



Operation
with gloves



Input type



Pulse counter/
Totaliser

Powerful

- **Fast count input**
Input frequency max. 60 kHz
- **Robust housing**
IP 65 protection
- **LED display**
Very bright, 8 mm high
- **Simple totalizing and quantity counters**
Single channel count input and reset input
Programmable for positive (PNP) or negative (NPN) switching input pulses
Fast count input with an input frequency of max. 60 kHz, can be damped to 30 Hz for mechanical contacts
- **Fast start-up time**
Detects incoming pulses just 16 ms after being switched on → so no pulses are lost with a simultaneous motor start-up



User-friendly

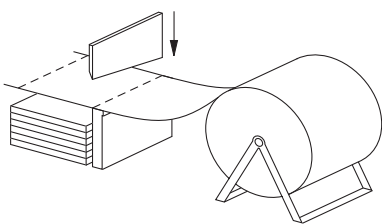
- **Big keys**
Can also be operated when using gloves
- **Easy to programme**
Easy menu-driven programming and operation
Possibility to enter the programming mode during operation, with authentication query

Universal

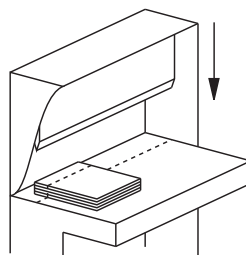
- **Programmable decimal point**
Can be set between 0.0 and 0.000
- **Manual or electrical reset**
Tamper-proof, due to lockable reset function
- **Inputs**
As an alternative to the HTL inputs, devices with a 4 ... 30 V DC DC input level are available, for use as parallel displays for PLCs

Applications for Pulse Counters/ Totalisers

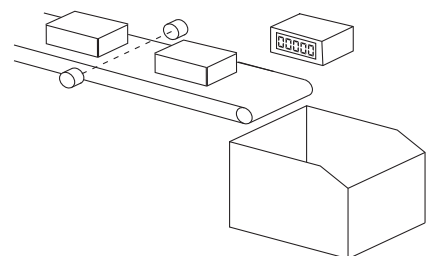
- Simple count tasks such as quantity and piece counting
- Accessories, OEM equipment or retrofitting to production machines
- Piece counting on die cutters, presses, extruders, woodworking machines, drilling machines, pick-and-place machines, guillotines, special-purpose vehicles etc.



Piece-counting



Number of cuts



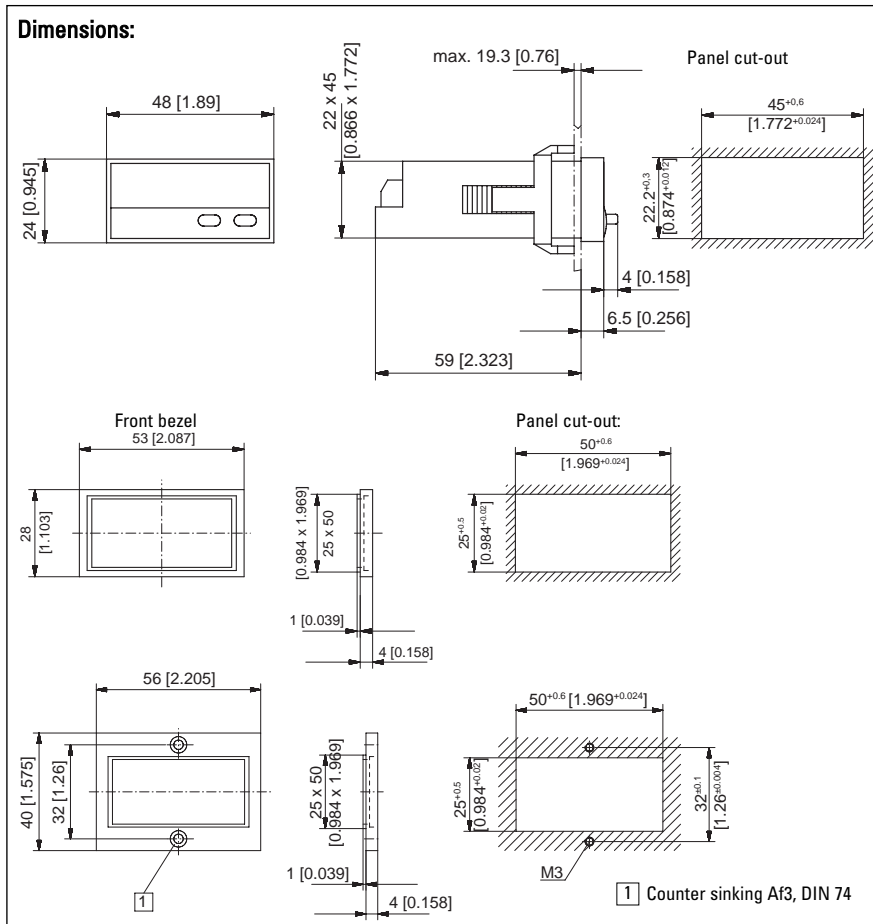
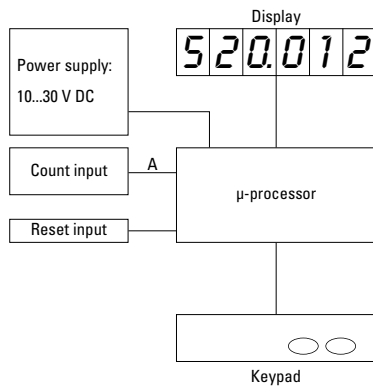
Piece-counting on conveyor

LED Pulse Counters – Codix 520

Technical data:

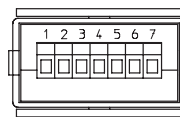
Supply voltage:	10 ... 30 V DC, with reverse polarity protection	Level of inputs:	low: 0 ... 0.2 x U _B [V DC] high: 0.6 x U _B ... 30 V DC
Current consumption:	max. 45 mA	Level of inputs:	low: 0 ... 2 V DC high: 4 ... 30 V DC
Display:	6-digit red 7-segment LED; 8 mm [0.315"] high	4 ... 30 V DC version	high: 4 ... 30 V DC
Data backup:	EEPROM	EMC:	Emitted interference EN55011 Class B Immunity to interference: EN61000-6-2
Housing:	dimension 48 x 24 mm [1.89 x 0.945"] according to DIN 43 700; RAL 7021, grey	Ambient temperature:	-20 ... +65 °C [4 ... 149 °F] at U _B = 10 ... 26 V DC -20 ... +55 °C [4 ... 131 °F] at U _B = >26 ... 30 V DC non-condensing
Polarity of inputs:	programmable, npn or pnp for all inputs	Storage temperature:	-25 ... +70 °C [-13 ... 158 °F]
Input resistance:	approx. 5 kΩ	Protection:	IP 65 front side
Counting frequency:	60 kHz, can be damped to 30 Hz	Weight:	approx. 50 g [1.764 oz]
Reset time:	5 ms		

Block diagram:



Connections:

- 1 10 ... 30 V DC
- 2 0 V GND
- 3 INP
- 4 -
- 5 Reset



Delivery specifications:

- 1 Digital display
- 1 Panel mounting clip
- 1 Bezel for screw mounting, panel cut out 50 x 25 mm [1.969 x 0.984"]
- 1 Bezel for clip mounting, panel cut out 50 x 25 mm [1.969 x 0.984"]
- 1 Seal
- 1 Multilingual operating instruction

Order code:

6.520.012.3X0

- Input switch level
- 0 = Standard*
- A = 4 ... 30 V DC level

* standard stock model