

Absolute encoders - singleturn

Miniature magnetic	2450 / 2470 (shaft / hollow shaft)	SSI
---------------------------	---	------------



The absolute singleturn encoders 2450 and 2470 with SSI interface and magnetic sensor technology are the specialists when space is tight.

Because of their high 12 bit resolution with 4096 different positions for 360° they offer exceptional repeat accuracy.



High rotational speed	Temperature range -20°...+85°C	Shock / vibration resistant	Short-circuit proof	Reverse polarity protection	Magnetic sensor

Minimal space requirement

- The outer diameter measures 24 mm; the shaft diameter up to max. 6 mm.
- Flexible connection with radial or axial cable outlet.

Durable and accurate

- Long service life and freedom from wear due to non-contact measuring system.
- Wide temperature range from -20°C up to +85°C.
- High 12 bit resolution with 4096 different positions for 360°.

Order code	8.2450	. XX1X	. G121
Shaft version	Type	a b c d	e

- | | | | | |
|--|---|---|--|---|
| <p>a Flange
1 = ø 24 mm [0.94"]
3 = ø 28 mm [1.10"]
2 = ø 30 mm [1.18"]</p> | <p>b Shaft (ø x L)
1 = ø 4 x 10 mm [0.16 x 0.39"]
3 = ø 5 x 10 mm [0.20 x 0.39"], with flat
2 = ø 6 x 10 mm [0.24 x 0.39"]</p> | <p>c Interface / power supply
1 = SSI / 5 V DC</p> | <p>d Type of connection
1 = axial cable, 2 m [6.56'] PVC
A = axial cable, special length PVC *)
2 = radial cable, 2 m [6.56'] PVC
B = radial cable, special length PVC *)</p> | <p>e Gray-code
12 bit resolution</p> |
|--|---|---|--|---|
- *) Available special lengths (connection types A, B):
3, 5, 8, 10, 15 m [9.84, 16.40, 26.25, 32.80, 49.21']
order code expansion .XXXX = length in dm
ex.: 8.2450.111A.G121.0030 (for cable length 3 m)

Order code	8.2470	. 1X1X	. G121
Hollow shaft	Type	a b c d	e

- | | | | | |
|--|---|---|--|---|
| <p>a Flange
1 = ø 24 mm [0.94"]</p> | <p>b Blind hollow shaft
(insertion depth max. 14 mm [0.55"])
1 = ø 4 mm [0.16"]
2 = ø 6 mm [0.24"]</p> | <p>c Interface / power supply
1 = SSI / 5 V DC</p> | <p>d Type of connection
1 = axial cable, 2 m [6.56'] PVC
A = axial cable, special length PVC *)
2 = radial cable, 2 m [6.56'] PVC
B = radial cable, special length PVC *)</p> | <p>e Gray-code
12 bit resolution</p> |
|--|---|---|--|---|
- *) Available special lengths (connection types A, B):
3, 5, 8, 10, 15 m [9.84, 16.40, 26.25, 32.80, 49.21']
order code expansion .XXXX = length in dm
ex.: 8.2470.111A.G121.0030 (for cable length 3 m)

Absolute encoders - singleturn

Miniature magnetic	2450 / 2470 (shaft / hollow shaft)	SSI
---------------------------	---	------------

Mounting accessory for shaft encoders		Order no.
Coupling	bellows coupling ø 15 mm [0.59"] for shaft 4 mm [0.16"]	8.0000.1202.0404

Further accessories can be found in the accessories section or in the accessories area of our website at: www.kuebler.com/accessories.
Additional connectors can be found in the connection technology section or in the connection technology area of our website at: www.kuebler.com/connection_technology.

Technical data

Mechanical characteristics		
Maximum speed		12000 min ⁻¹
Mass moment of inertia		approx. 0.1 x 10 ⁻⁶ kgm ²
Starting torque - at 20°C [68°F]		< 0.01 Nm
Shaft load capacity	radial	10 N
	axial	20 N
Weight		approx. 0.06 kg [2.11 oz]
Protection	housing side	IP65 (IP67 on request)
acc. to EN 60529	flange side	IP50 (IP67 on request)
Working temperature range		-20°C ... +85°C [-4°F ... +185°F]
Material	shaft / hollow shaft	stainless steel
	clamping ring	MS58
Shock resistance acc. to EN 60068-2-27		1000 m/s ² , 6 ms
Vibration resistance acc. to EN 60068-2-6		100 m/s ² , 55 ... 2000 Hz

Electrical characteristics	
Power supply	5 (+0.4) V DC ¹⁾
Power consumption (no load)	< 40 mA
Reverse polarity protection of the power supply	yes
Short circuit proof output	yes ²⁾
Measuring range	360°
Linearity, 25°C [77°F]	< 1.5°
Repeat accuracy	≤ 0.4°
CE compliant acc. to	EMC guideline 2014/30/EU RoHS guideline 2011/65/EU

SSI interface	
Output driver	RS485
Permissible load / channel	typ. 60 Ohm (acc. to RS485)
Resolution	12 bit
Code	gray
SSI clock speed	100 kHz ... 750 kHz
Monoflop time	typ. / max. 16 µs / 20 µs
Data refresh rate	typ. 100 µs

Terminal assignment

Interface	Type of connection	Cable (isolate unused cores individually before initial start-up)						
2	1, 2, A, B	Signal:	0 V	+V	C+	C-	D+	D-
		Core color:	WH	BN	GN	YE	GY	PK

+V: Encoder power supply +V DC
0 V: Encoder power supply ground GND (0 V)
C+, C-: Clock signal
D+, D-: Data signal

1) The power supply at the encoder input must not be less than 4.75 V DC (5 V DC - 5 %).
2) Short circuit to 0 V or to output, only one channel at a time, power supply correctly applied.

Absolute encoders - singleturn

Miniature magnetic

2450 / 2470 (shaft / hollow shaft)

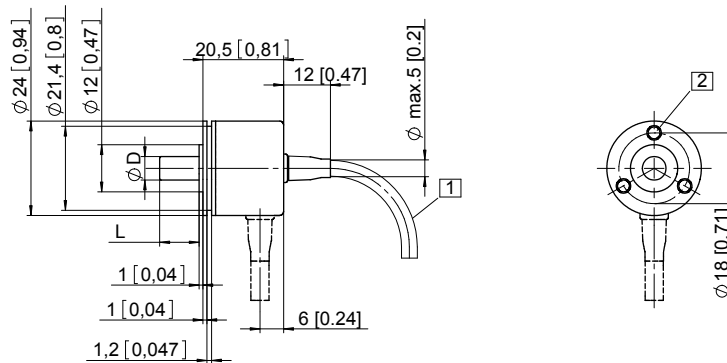
SSI

Dimensions shaft version

Dimensions in mm [inch]

Flange type 1, \varnothing 24 [0.94]

- 1 min. R50 [1.97]
- 2 3 x M3, 4 [0.16] deep

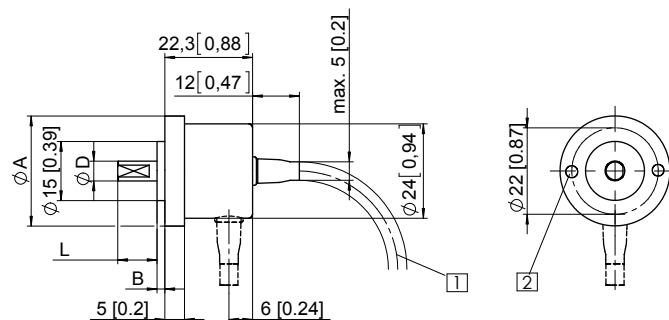


D	Fit	L
4 [0.16]	f7	10 [0.39]
5 [0.20]	f7	10 [0.39]
6 [0.24]	f7	10 [0.39]
1/4"	f7	10 [0.39]

Flange type 2, \varnothing 30 [1.18]

Flange type 3, \varnothing 28 [1.10]

- 1 min. R50 [1.97]
- 2 2 x M3, 4 [0.16] deep



D	Fit	L
4 [0.16]	f7	10 [0.39]
5 [0.20]	f7	10 [0.39]
6 [0.24]	f7	10 [0.39]
1/4"	f7	10 [0.39]

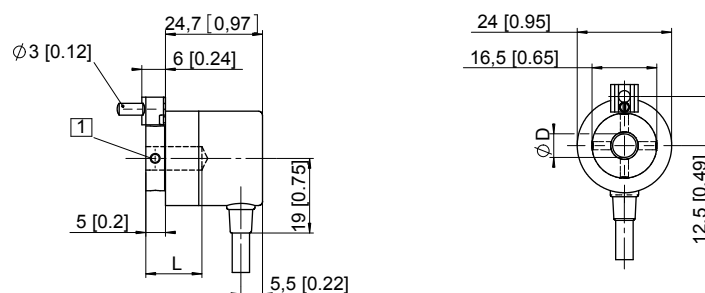
Flange type	A	B
2	\varnothing 30 [1.18]	3 [0.12]
3	\varnothing 28 [1.10]	2 [0.08]

Dimensions hollow shaft version

Dimensions in mm [inch]

Flange type 1, \varnothing 24 [0.94]

- 1 4 x M3 DIN 915 - SW1.5



D	Fit	L
4 [0.16]	H7	14 [0.55]
6 [0.24]	H7	14 [0.55]
1/4"	H7	14 [0.55]

L = insertion depth max. blind hollow shaft