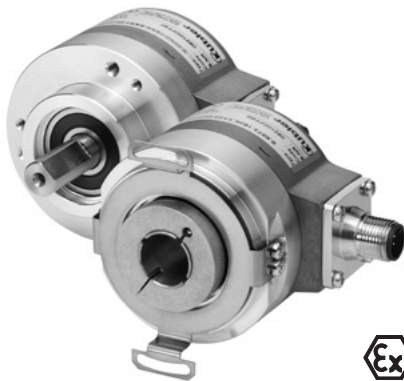


Incremental encoders

Standard
sine wave output, highly interpolable, optical

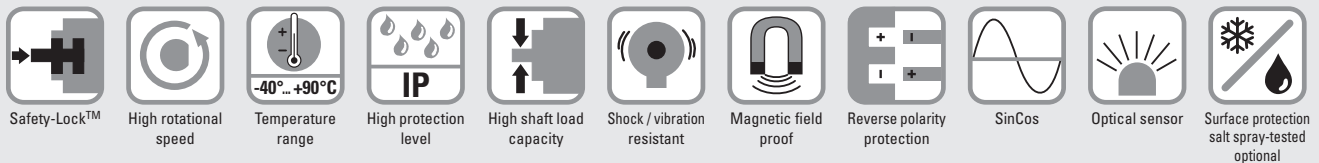
Sendix 5814 / 5834 (shaft / hollow shaft)

SinCos



The incremental encoders Sendix 5814 and 5834 with SinCos interface are particularly suited for applications in the field of drive technology.

Thanks to their high signal quality, they are optimally suited for further interpolation.



Powerful

- With incremental SinCos tracks.
- Very high signal quality.
- Suited for motor feedback applications.

Flexible

- Shaft and hollow shaft versions.
- Cable and connector variants.
- Various mounting options available.

Order code 8.5814 . 1 2 X X . XXXX
Shaft version Type a b c d e

a Flange
1 = clamping flange, IP65, \varnothing 58 mm [2.28"]

b Shaft ($\varnothing \times L$)
2 = 10 x 20 mm [0.39 x 0.79"], with flat

c Output circuit / power supply
1 = SinCos / 5 V DC
2 = SinCos / 10 ... 30 V DC

d Type of connection
1 = axial cable, 1 m [3.28'] PVC
A = axial cable, special length PVC *)
2 = radial cable, 1 m [3.28'] PVC
B = radial cable, special length PVC *)
5 = axial M12 connector, 8-pin
6 = radial M12 connector, 8-pin
*) Available special lengths (connection types A, B):
2, 3, 5, 8, 10, 15 m [6.56, 9.84, 16.40, 26.25, 32.80, 49.21']
order code expansion .XXXX = length in dm
ex.: 8.5814.122A.2048.0030 (for cable length 3 m)

e Pulse rate
1024, 2048
Optional on request
- Ex 2/22 ¹⁾
- surface protection salt spray tested

Order code 8.5834 . X X X X . XXXX
Hollow shaft Type a b c d e

a Flange
1 = with spring element, long, IP65
5 = with stator coupling, IP65, \varnothing 63 mm [2.48"]

b Through hollow shaft
3 = \varnothing 10 mm [0.39"]
4 = \varnothing 12 mm [0.47"]
5 = \varnothing 14 mm [0.55"]
6 = \varnothing 15 mm [0.59"]
8 = \varnothing 3/8"
9 = \varnothing 1/2"
Tapered shaft
K = \varnothing 10 mm [0.39"]

c Output circuit / power supply
1 = SinCos / 5 V DC
2 = SinCos / 10 ... 30 V DC

d Type of connection
2 = radial cable, 1 m [3.28'] PVC
B = radial cable, special length PVC *)
E = tangential cable, 1 m [3.28'] PVC
F = tangential cable, special length PVC *)
6 = radial M12 connector, 8-pin
*) Available special lengths (connection types B, F):
2, 3, 5, 8, 10, 15 m [6.56, 9.84, 16.40, 26.25, 32.80, 49.21']
order code expansion .XXXX = length in dm
ex.: 8.5834.142B.2048.0030 (for cable length 3 m)

e Pulse rate
1024, 2048
Optional on request
- Ex 2/22
(not for type of connection E, F) ¹⁾
- surface protection salt spray tested

1) For the cable connection type, cable material PUR.

Incremental encoders

Standard sine wave output, highly interpolable, optical	Sendix 5814 / 5834 (shaft / hollow shaft)	SinCos
-------------------------------------------------------------------	--------------------------------------------------	---------------

Connection technology		Order no.
Cordset, pre-assembled	M12 female connector with coupling nut, 8-pin 2 m [6.56'] PVC cable	05.00.6041.8211.002M
Connector, self-assembly (straight)	M12 female connector with coupling nut, 8-pin	05.CMB 8181-0

Further accessories can be found in the accessories section or in the accessories area of our website at: www.kuebler.com/accessories.
Additional connectors can be found in the connection technology section or in the connection technology area of our website at: www.kuebler.com/connection_technology.

Technical data

Mechanical characteristics		
Maximum speed	IP65	12000 min ⁻¹ , 5000 min ⁻¹ (continuous)
	IP67	8000 min ⁻¹ , 2000 min ⁻¹ (continuous)
Starting torque – at 20°C [68°F]	IP65	< 0.01 Nm
	IP67	< 0.05 Nm
Mass moment of inertia	shaft	4.0 x 10 ⁻⁶ kgm ²
	hollow shaft	7.0 x 10 ⁻⁶ kgm ²
Load capacity of shaft	radial	80 N
	axial	40 N
Weight	approx. 0.45 kg [15.85 oz]	
Protection acc. to EN 60529	IP65	
Working temperature range	-40°C ... +90°C [-40°F ... +194°F] ¹⁾	
Materials	shaft / hollow shaft	stainless steel
	flange	aluminum
	housing	zinc die-cast
	cable	PVC (PUR for Ex 2/22)
Shock resistance acc. to EN 60068-2-27	2500 m/s ² , 6 ms	
Vibration resistance acc. to EN 60068-2-6	100 m/s ² , 55 ... 2000 Hz	

Electrical characteristics		
Power supply	5 V DC (±5 %) or 10 ... 30 V DC	
Current consumption (no load)	5 V DC	max. 70 mA
	10 ... 30 V DC	max. 45 mA
Reverse polarity protection of the power supply	yes	
UL approval	file no. E224618	
CE compliant acc. to	EMC guideline 2014/30/EU RoHS guideline 2011/65/EU	

SinCos interface	
Max. frequency -3dB	400 kHz
Signal level	1 Vpp (±10 %)
Short circuit proof	yes ²⁾
Pulse rate	1024 / 2048 ppr

Terminal assignment

Output circuit	Type of connection	Cable (isolate unused cores individually before initial start-up)							
1, 2	1, 2, A, B, E, F	Signal:	0 V	+V	A	\bar{A}	B	\bar{B}	\perp
		Core color:	WH	BN	GN	YE	GY	PK	shield
Output circuit	Type of connection	M12 connector, 8-pin							
1, 2	5, 6	Signal:	0 V	+V	A	\bar{A}	B	\bar{B}	\perp
		Pin:	1	2	3	4	5	6	PH ³⁾

- +V: Encoder power supply +V DC
- 0 V: Encoder power supply ground GND (0 V)
- A, \bar{A} : Cosine signal
- B, \bar{B} : Sine signal
- PH \perp : Plug connector housing (shield)

Top view of mating side, male contact base



M12 connector, 8-pin

1) Cable version: -30°C ... +90°C [-22°F ... +194°F] fixed installation.
2) Short circuit to 0V or to output, one channel at a time, power supply correctly applied.
3) PH = shield is attached to connector housing.

Incremental encoders

Standard
sine wave output, highly interpolable, optical

Sendix 5814 / 5834 (shaft / hollow shaft)

SinCos

Dimensions shaft version

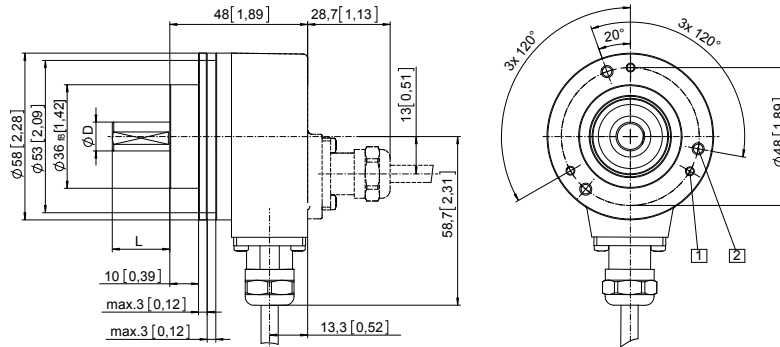
Dimensions in mm [inch]

Clamping flange, \varnothing 58 [2.28]

Flange type 1 with shaft type 2

(drawing with cable)

- 1 3 x M3, 6 [0.24] deep
- 2 3 x M4, 8 [0.32] deep



D	Fit	L
10 [0.39]	f7	20 [0.79]

Dimensions hollow shaft version

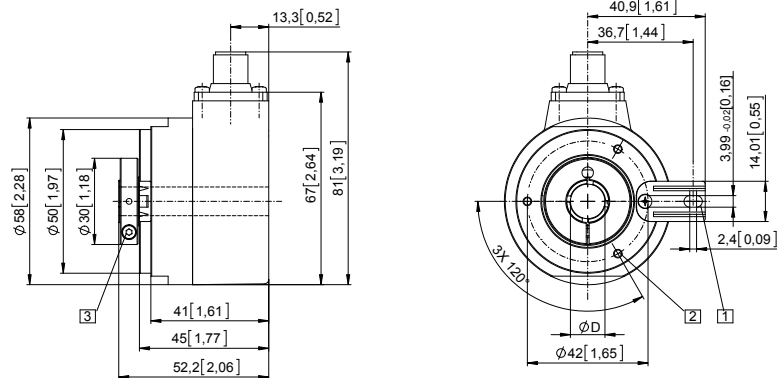
Dimensions in mm [inch]

Flange with spring element, long

Flange type 1

(drawing with M12 connector)

- 1 Slot spring element, recommendation: cylindrical pin DIN 7, \varnothing 4 [0.16]
- 2 3 x M3, 5.5 [0.22] deep
- 3 Recommended torque for the clamping ring 0.6 Nm



D	Fit
10 [0.39]	H7
12 [0.47]	H7
14 [0.55]	H7
15 [0.59]	H7
3/8"	H7
1/2"	H7

Incremental encoders

Standard sine wave output, highly interpolable, optical	Sendix 5814 / 5834 (shaft / hollow shaft)	SinCos
-------------------------------------------------------------------	--------------------------------------------------	---------------

Dimensions hollow shaft version

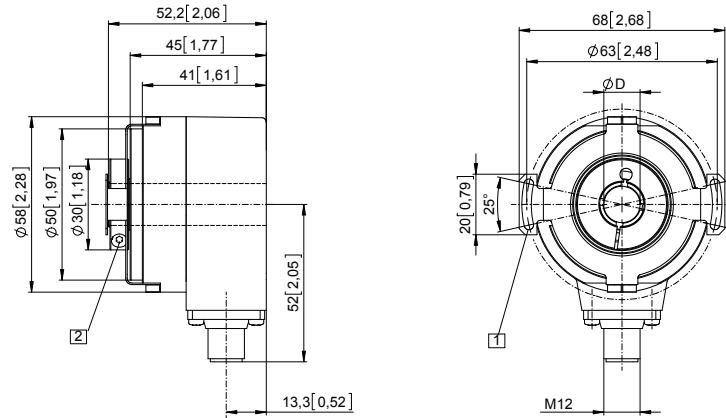
Dimensions in mm [inch]

Flange with stator coupling, \varnothing 63 [2.48] and hollow shaft

Flange type 5

(drawing with M12 connector)

- 1 For (4x) M3 screw
- 2 Recommended torque for the clamping ring 0.6 Nm



D	Fit
10 [0.39]	H7
12 [0.47]	H7
14 [0.55]	H7
15 [0.59]	H7
3/8"	H7
1/2"	H7

Flange with stator coupling, \varnothing 63 [2.48] and tapered shaft

Flange type 5

(drawing with tangential cable outlet)

- 1 For (4x) M3 screw
- 2 SW 4

