

# Absolute encoders - singleturn

Standard, ATEX/IECEX – mining optical

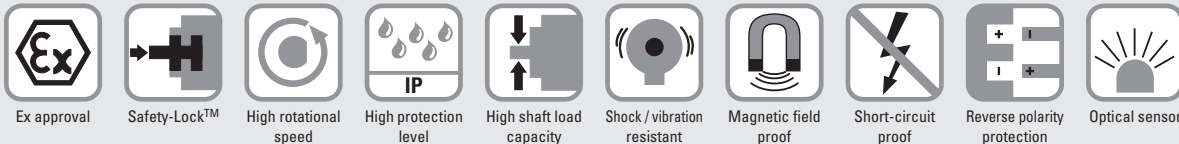
Sendix 7158 / 7178 (shaft / hollow shaft)

PROFIBUS DP



The Sendix 7158 / 7178 absolute singleturn encoders in a compact 70 mm stainless-steel housing, with a PROFIBUS interface and optical sensor technology have an ATEX/IECEX mining approval.

These shock and vibration-resistant encoders operate flexibly with a resolution of up to 16 bits; they are also available with axial and radial cable outlets.



## Compact and safe

- Can be used even when space is tight.
- Minimal installation depth, diameter 70 mm.
- Compact cable outlet axial or radial.
- Remains sealed even in harsh everyday use and ensures highest safety against field breakdowns (IP67 protection).

## Explosion protection

- Mining approval.
- “Flame-proof enclosure” construction.
- ATEX with EC type examination certificate.
- IECEx with certificate of conformity (CoC).

## Order code

### Shaft version

8.7158 . 2 X 3 X . 31 11 . XXXX  
Type      a b c d e      f <sup>1)</sup>

#### a Flange

2 = clamping / synchronous flange, IP67, ø 70 mm [2.76"]

#### b Shaft (ø x L)

2 = 10 x 20 mm [0.39 x 0.79"], with flat  
 1 = 12 x 25 mm [0.47 x 0.98"], with keyway  
 for 4 x 4 mm [0.16 x 0.16"] key

#### c Interface / power supply

3 = PROFIBUS DP V0 / 10 ... 30 V DC

#### d Type of connection

1 = axial cable, 2 m [6.56'] PUR  
 2 = radial cable, 2 m [6.56'] PUR  
 A = axial cable, length > 2 m [6.56']  
 B = radial cable, length > 2 m [6.56']

#### e Fieldbus profile

31 = PROFIBUS DP V0 encoder profile class 2

#### f Cable length in dm <sup>1)</sup>

0050 = 5 m [16.40']  
 0100 = 10 m [32.81']  
 0150 = 15 m [49.21']

Optional on request  
 - special cable length

## Order code

### Hollow shaft

8.7178 . X X 3 X . 31 11 . XXXX  
Type      a b c d e      f <sup>1)</sup>

#### a Flange

2 = with spring element, short  
 6 = with stator coupling, IP67, ø 65 mm [2.56"]

#### b Blind hollow shaft

(insertion depth max. 41.5 mm [1.63"])  
 1 = ø 12 mm [0.47"]  
 2 = ø 14 mm [0.55"]

#### c Interface / power supply

3 = PROFIBUS DP V0 / 10 ... 30 V DC

#### d Type of connection

1 = axial cable, 2 m [6.56'] PUR  
 2 = radial cable, 2 m [6.56'] PUR  
 A = axial cable, length > 2 m [6.56']  
 B = radial cable, length > 2 m [6.56']

#### e Fieldbus profile

31 = PROFIBUS DP V0 encoder profile class 2

#### f Cable length in dm <sup>1)</sup>

0050 = 5 m [16.40']  
 0100 = 10 m [32.81']  
 0150 = 15 m [49.21']

Optional on request  
 - special cable length

1) Not applicable with connection types 1 and 2.

# Absolute encoders - singleturn

<b>Standard, ATEX/IECEX – mining optical</b>	<b>Sendix 7158 / 7178 (shaft / hollow shaft)</b>	<b>PROFIBUS DP</b>
--	--	--------------------

## Technical data

Explosion protection 7158	
<b>ATEX</b>	
<b>EC type-examination certificate</b>	IBExU 14 ATEX 1047 X
<b>Category</b>	⊕ I M2 Ex d I/IIC T4 - T6 Mb
<b>Relevant standards</b> ATEX guideline 94/9/EC	EN 60079-0:2012; EN 60079-1:2007
<b>IECEX</b>	
<b>Certificate of Conformity (CoC)</b>	IECEX IBE 14.0023 X
<b>Category</b>	Ex d I/IIC T4 - T6 Mb
<b>Relevant standards</b>	IEC 60079-0:2011; IEC 60079-1:2007

Mechanical characteristics	
<b>Maximum speed</b>	shaft 6000 min <sup>-1</sup> (continuous) hollow shaft 3000 min <sup>-1</sup> (continuous)
<b>Starting torque – at 20°C [68°F]</b>	< 0.05 Nm
<b>Mass moment of inertia</b>	4.0 x 10 <sup>-6</sup> kgm <sup>2</sup>
<b>Load capacity of shaft</b>	radial 80 N axial 40 N
<b>Weight</b>	approx. 2.8 kg [98.77 oz]
<b>Protection acc. to EN 60529</b>	IP67
<b>Ambient temperature</b>	-40°C ... +60°C [-40 ... +140°F] Please note the specifications for temperature class in EC type-examination certificate!
<b>Material</b>	shaft stainless steel flange / housing stainless steel cable PUR
<b>Shock resistance</b> acc. to EN/IEC 60068-2-27	1000 m/s <sup>2</sup> , 6 ms
<b>Vibration resistance</b> acc. to EN/IEC 60068-2-6	100 m/s <sup>2</sup> , 55 ... 2000 Hz

Interface characteristics PROFIBUS DP	
<b>Resolution</b>	1 ... 65536 (16 bit), scalable default: 8192 (13 bit)
<b>Interface</b>	specification according to PROFIBUS DP 2.0 / standard (DIN 19245 Part 3) / RS485 driver galvanically isolated
<b>Protocol</b>	Profibus encoder profile V1.1 class 1 and class 2 with manufacturer-specific add-ons
<b>Baud rate</b>	maximum 12 Mbit/s
<b>Device address</b>	software controlled setting of the device address via the SSA-service with a class 2 master; default address: 125
<b>Termination</b>	active termination can only be switched on externally

Explosion protection 7178	
<b>ATEX</b>	
<b>EU type-examination certificate</b>	IBExU 15 ATEX 1057 X
<b>Category</b>	⊕ I M2 Ex db I/IIC T4/120°C (T4)/T6 Mb
<b>Relevant standards</b> ATEX guideline 2014/34/EU	EN 60079-0:2012 + A11:2013; EN 60079-1:2014
<b>IECEX</b>	
<b>Certificate of Conformity (CoC)</b>	IECEX IBE 15.0019 X
<b>Category</b>	Ex db I/IIC T4/120°C (T4)/T6 Mb
<b>Relevant standards</b>	IEC 60079-0:2011; IEC 60079-1:2014

Electrical characteristics	
<b>Power supply</b>	10 ... 30 V DC
<b>Current consumption (no load)</b>	max. 110 mA
<b>Reverse polarity protection for power supply</b>	yes
<b>CE compliant acc. to</b>	EMC guideline 2014/30/EU RoHS guideline 2011/65/EU

EMC	
<b>Relevant standards</b>	EN 55011 class B:2009 / A1:2010 EN 61000-6-2:2005 / AC:2005 EN 61000-6-3:2007 / A1:2011 EN 61326-1:2013

### Profibus encoder-profile V1.1

The PROFIBUS DP device profile describes the functionality of the communication and the manufacturer-specific component within the PROFIBUS fieldbus system. The encoder profile applies to encoders and defines the individual objects independently of the manufacturer. In addition, the profile makes provision for additional extended functions specific to the manufacturer. The use of PROFIBUS compatible devices ensures that the systems of today are ready to meet the demands of the future.

#### The following parameters can be programmed

- Direction of rotation.
- Scaling – number of steps per revolution.
- Preset value.
- Diagnostics mode.

#### The following functionality is integrated

- Galvanic isolation of the bus stage with DC/DC converter.
- Line driver acc. to RS485 max. 12 MB.
- Full class 1 and class 2 functionality.
- Speed value.

### Terminal assignment

Interface	Type of connection	Cable (isolate unused cores individually before initial start-up)								
		Signal:	0 V	+V	PB_A IN	PB_B IN	BUS_GND	BUS_VDC	PB_A OUT	PB_B OUT
3	1, 2, A, B	Core marking:	1	2	4	5	6	7	8	9

# Absolute encoders - singleturn

**Standard, ATEX/IECEX – mining optical**

**Sendix 7158 / 7178 (shaft / hollow shaft)**

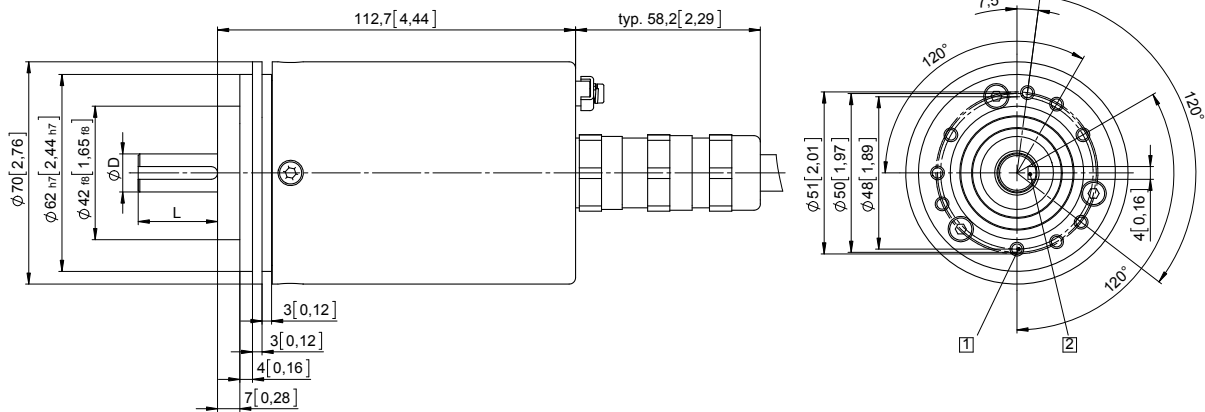
**PROFIBUS DP**

## Dimensions shaft version

Dimensions in mm [inch]

**Clamping / synchronous flange,  $\varnothing$  70 [2.76]**  
**Shaft type 1 with axial cable outlet**

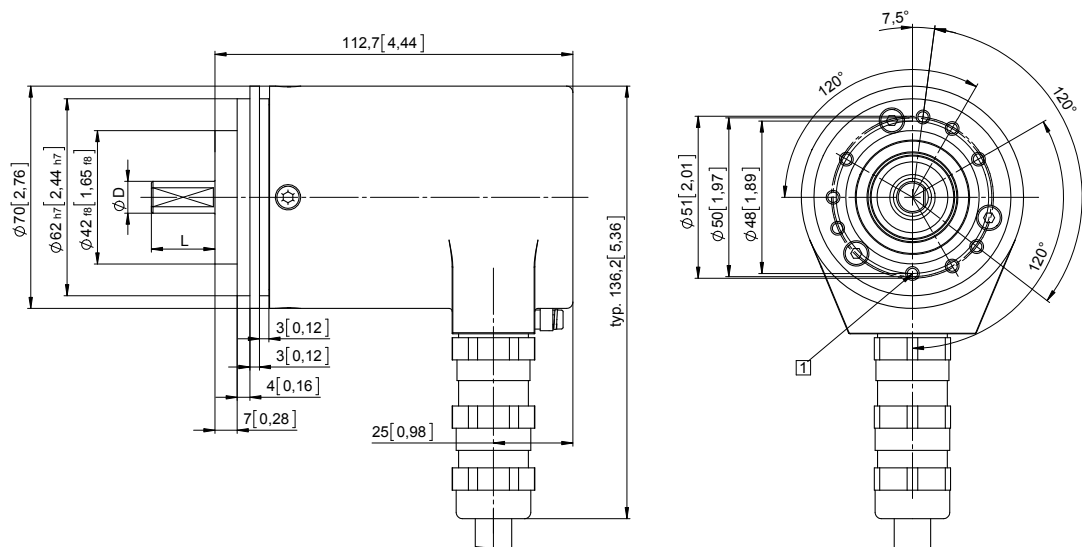
- 1 9 x M4, 10 [0.39] deep
- 2 Keyway for DIN 6885-A-4x4x25 key



D	Fit	L
12 [0.47]	g6	25 [0.98]

**Clamping / synchronous flange,  $\varnothing$  70 [2.76]**  
**Shaft type 2 with radial cable outlet**

- 1 9 x M4, 10 [0.39] deep



D	Fit	L
10 [0.39]	f7	20 [0.79]

# Absolute encoders - singleturn

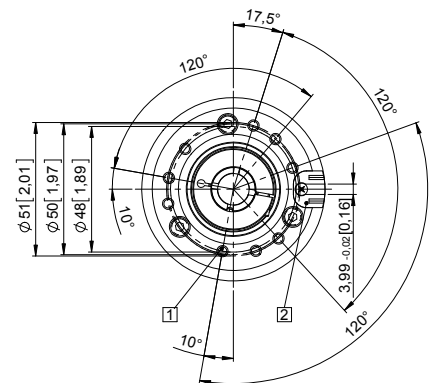
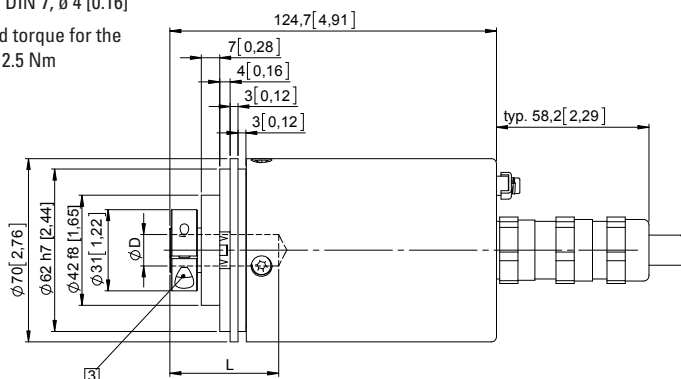
<b>Standard, ATEX/IECEX – mining optical</b>	<b>Sendix 7158 / 7178 (shaft / hollow shaft)</b>	<b>PROFIBUS DP</b>
--	--	--------------------

## Dimensions hollow shaft version

Dimensions in mm [inch]

### Flange with spring element, short Flange type 2

- 1 9 x M4, 10 [0.39] deep
- 2 Slot spring element, recommendation: cylindrical pin DIN 7,  $\varnothing$  4 [0.16]
- 3 Recommended torque for the clamping ring 2.5 Nm



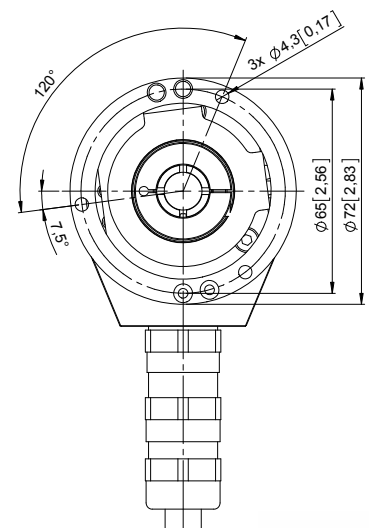
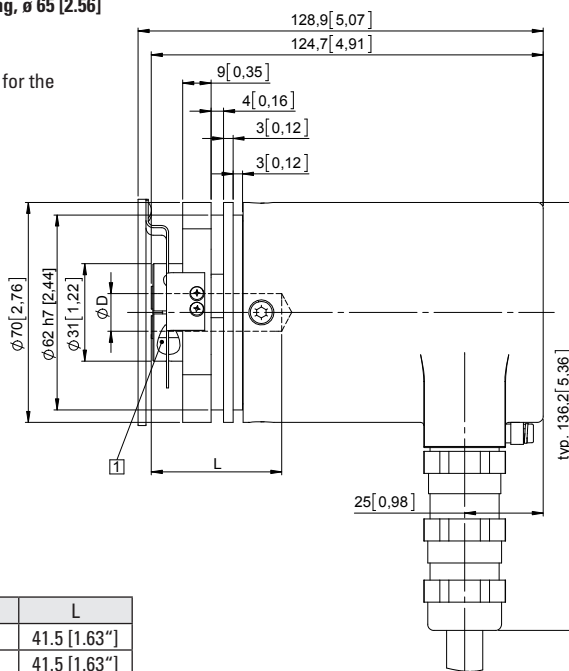
D	Fit	L
12 [0.47]	H7	41.5 [1.63"]
14 [0.55]	H7	41.5 [1.63"]

L = insertion depth max. blind hollow shaft

### Flange with stator coupling, $\varnothing$ 65 [2.56]

#### Flange type 6

- 1 Recommended torque for the clamping ring 2.5 Nm



D	Fit	L
12 [0.47]	H7	41.5 [1.63"]
14 [0.55]	H7	41.5 [1.63"]

L = insertion depth max. blind hollow shaft