

LCD Time Modules – 198



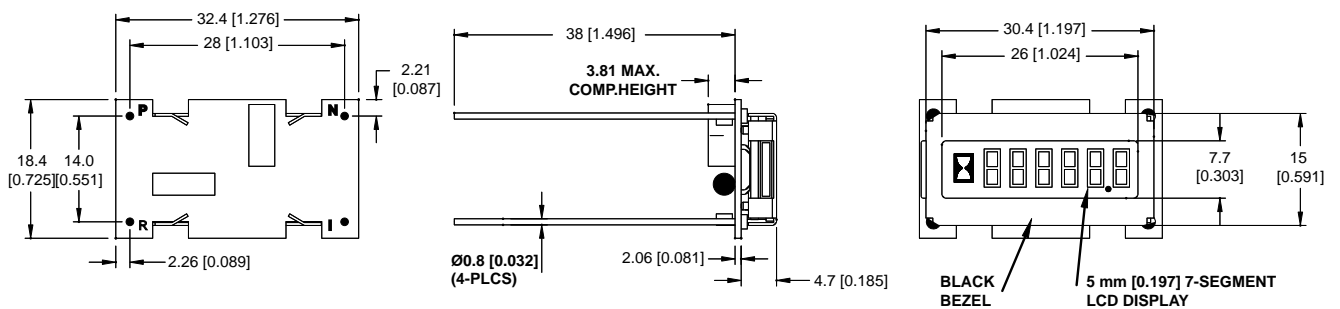
- Non-volatile memory (no battery required to maintain value)
- High reliability
- Low cost and small size
- Low operating current
- Wide operating voltage and temperature range
- Very high shock and vibration resistance
- Solid state electronics
- Run indicator

Technical data:

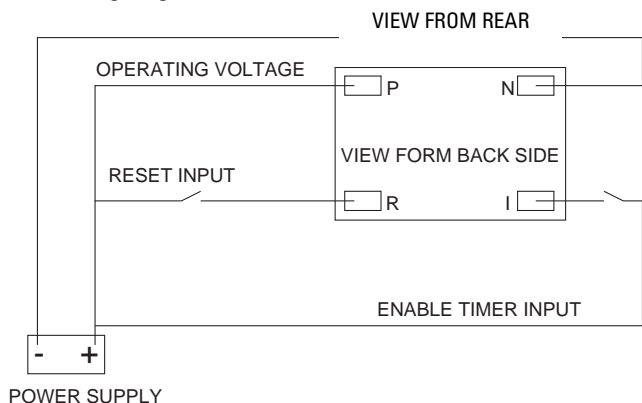
Supply:	4.5 ... 28 V DC
Current consumption:	3 mA maximum at 4.5 V DC 10 mA at 28 V DC
Start and reset input:	4.5 ... 28 V DC
Display:	6-digit display, figure height 5 mm [0.197"]
Data backup:	EEPROM
Housing:	dimension 15 x 33 mm [0.591 x 1.299"]
Colour:	black
Operating temperature:	-40 ... +85 °C [-40 ... 185 °F]
Humidity:	95 % RH +32 C for 2 hours

EMC:	according to EC EMC directive 89/36/EWG
Emitted interference:	EN 61 00-6-3/EN 55 011 Class B
Immunity to interference:	EN 61 00-6-2
Weight:	approx. 8 g [0.282 oz]
Memory capacity:	CMOS EEPROM. non-volatile memory has data retention in excess of 10 years without power.
Protection from:	inductive switching, alternator load dump

Dimensions:

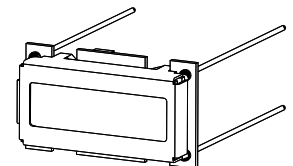


Connecting diagram:



Order code:

LCD Hour Meter Module Type 198:
Order-No.: 6.198.012.300*



Delivery specification:

- LCD Hour Meter Module Type 198
- Operating instructions