

LED Temperature Displays – Codix 531, for Pt100 and Ni100 resistance thermometers



Your benefit

- Temperature display in °C or °F
- MIN/MAX value acquisition and data backup in case of Power Off
- Galvanic isolation with protection against incorrect polarity
- Screw terminal connection: pitch 5 mm
- Display Hold input

Input range

Resistance thermometer

More advantages

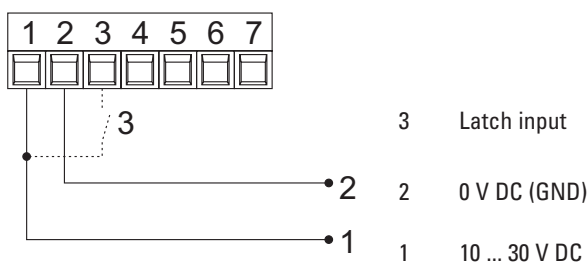
- Compact and low-price temperature display
- Easy programming and operation
- Modern industrial design
- 5 measurements/second

Technical data

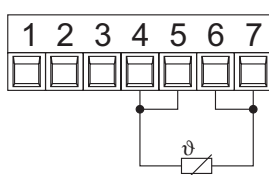
Supply voltage:	10 ... 30 V DC, galvanically isolated with integrated protection against incorrect polarity	Input:	Pt100-Resistance thermometer Ni100-Resistance thermometer with sensor breakage monitoring
Current consumption:	max. 40 mA	Control inputs:	high: 4 ... 30 V DC low: 0 ... 2 V DC
Display:	5-digit display, red 7-segment LED's; height 8 mm [0.315"]	Supply current:	1 mA
Measuring rate:	5 measurements/second	Supply line:	2-wire: max 20 Ω, programmable 3-wire, 4-wire: max 20 Ω, no balancing required
Display refresh:	1 ... 2 times per second	Temperature ranges:	Pt100 acc. to DIN IEC 751: -199.9 °C ... +850.0 °C -327.8 °F ... +1562.0 °F Ni100 acc. to DIN 43760: -60.0 °C ... +250.0 °C -76.0 °F ... +482.0 °F
Data backup:	EEPROM	Resolution:	0.1°C (0.1 °F) or 1°C (1 °F)
Housing:	housing for control panel 48 x 24 mm [1.89 x 0.945"], acc. to DIN 43 700; RAL 7021, dark grey	Linearity error:	Pt100 < 0.1 % for the whole measuring range at an ambient temperature of 20 °C [68 °F] Ni100 < 0.2 % for the whole measuring range at an ambient temperature of 20 °C [68 °F]
Ambient temperature:	-20 ... +65 °C [-4 °F ... +149 °F]	Temperature drift:	0.1 K/K _{Ambient}
EMC:	Immunity to interference: EN55011 class B Emitted interference EN61000-6-2	Connections:	screw terminal, pitch 5.08 mm [0.2"], 7 pin
Protection:	IP65 (front)		
Weight:	approx. 50 g [1.764 oz]		
Circuit type:	2-wire, 3-wire and 4-wire connection technique, programmable		

Electrical connection

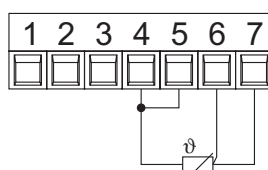
Connection supply voltage and Latch input



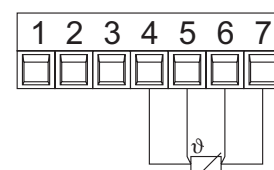
Resistance thermometer Pt100/Ni100
2-wire resistance thermometer



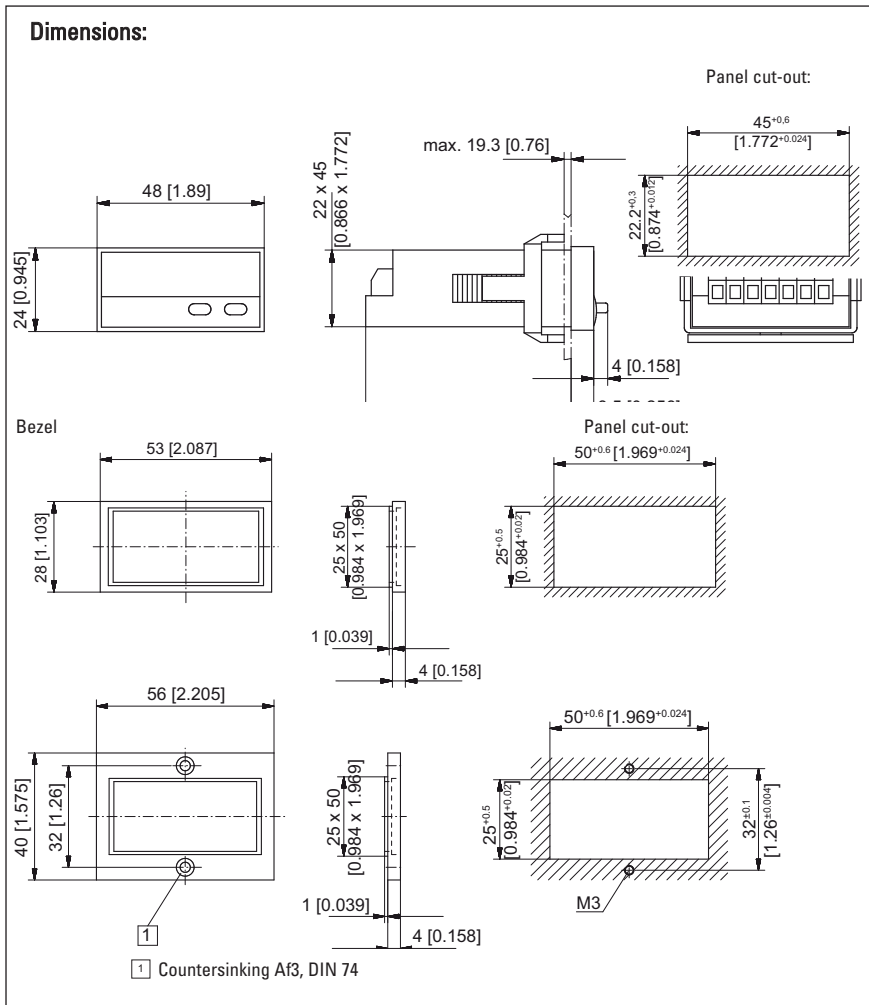
3-wire resistance thermometer



4-wire resistance thermometer



LED Temperature Displays – Codix 531, for Pt100 and Ni100 resistance thermometers



Connections:

- 1 10 ... 30 V DC supply voltage
- 2 0 V DC (GND)
- 3 Latch input
- 4 Pt100/Ni100
- 5 Pt100/Ni100
- 6 Pt100/Ni100
- 7 Pt100/Ni100



Fields of application

- Cabinet cooling
- Bakery plants
- Drying plants/ovens
- Packaging machines
- Machine tools and plastic processing machines
- Chemical and pharmaceutical plants
- Food and drink processing machines
- Semiconductor industry
- Power supply and air conditioning
- Paper machines
- Glass production machines

Delivery includes:

- Digital display
- Panel mounting clip
- Bezel for clip mount, panel cut-out 50 x 25 mm [1.969 x 0.984"]
- Bezel for screw mount, panel cut-out 50 x 25 mm [1.969 x 0.984"]
- Gasket
- 1 set of self-adhesive symbols
- Multilingual operating instructions

Order Code

Codix 531: 6.531.012.300 *

Accessories see chapter accessories