

LED Temperature Displays – Codix 532, for J, K and N thermocouples



Your benefit

- Temperature display in °C or °F
- MIN/MAX value acquisition and data backup in case of Power Off
- Galvanic isolation with protection against incorrect polarity
- Screw terminal connection: pitch 5 mm
- Display Hold input

Input ranges

J, K, N thermocouples
with external or internal
cold junction compensation

More advantages

- Easy programming and operation
- Modern industrial design
- 5 measurements/second

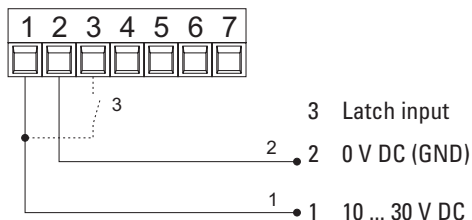
Technical data

Supply voltage:	10 ... 30 V DC, galvanically isolated with integrated protection against incorrect polarity
Current consumption:	max. 40 mA
Display:	5-digit display, red 7-segment LED's; height 8 mm [0.35"]
Measuring rate:	5 measurements/second
Display refresh:	1 ... 2 times per second
Data backup:	EEPROM
Housing:	housing for control panel 48 x 24 mm [1.89 x 0.945"] acc. to DIN 43 700; RAL 7021, dark grey
Ambient temperature:	-20 ... +65 °C [-4 °F ... +149 °F]
EMC:	Immunity to interference: EN55011 class B Emitted interference EN61000-6-2
Protection:	IP65 (front)
Weight:	approx. 50 g [1.764 oz]
Control inputs	high: 4 ... 30 V DC low: 0 ... 2 V DC

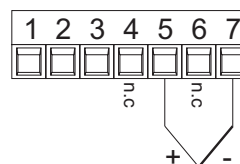
Input:	Thermocouple sensor J (Fe-CuNi) K (Ni-CrNi) N (NiCrSi-NiSi) with sensor breakage monitoring
Temperature ranges:	according to DIN IEC 584 J (Fe-CuNi) -210.0 °C ... +1200.0 °C -346.0 °F ... +2192.0 °F K (Ni-CrNi) -200.0 °C ... +1372.0 °C -328.0 °F ... +2501.6 °F N (NiCrSi-NiSi) -200.0 °C ... +1300.0 °C -328.0 °F ... +2370.0 °F
Resolution:	0.1°C (0.1 °F) or 1°C (1°F)
Linearity error:	< 0.4 % for the whole measuring range at an ambient temperature of 20 °C [68 °F]
Cold junction error:	±1.0 °C typ. [±1.8 °F] ±3.0 °C [±5.4 °F]
Temperature drift:	0.1 K/K _{Ambient}
Connections:	screw terminal, pitch 5.08 mm [0.2"], 7 pin

Electrical connection

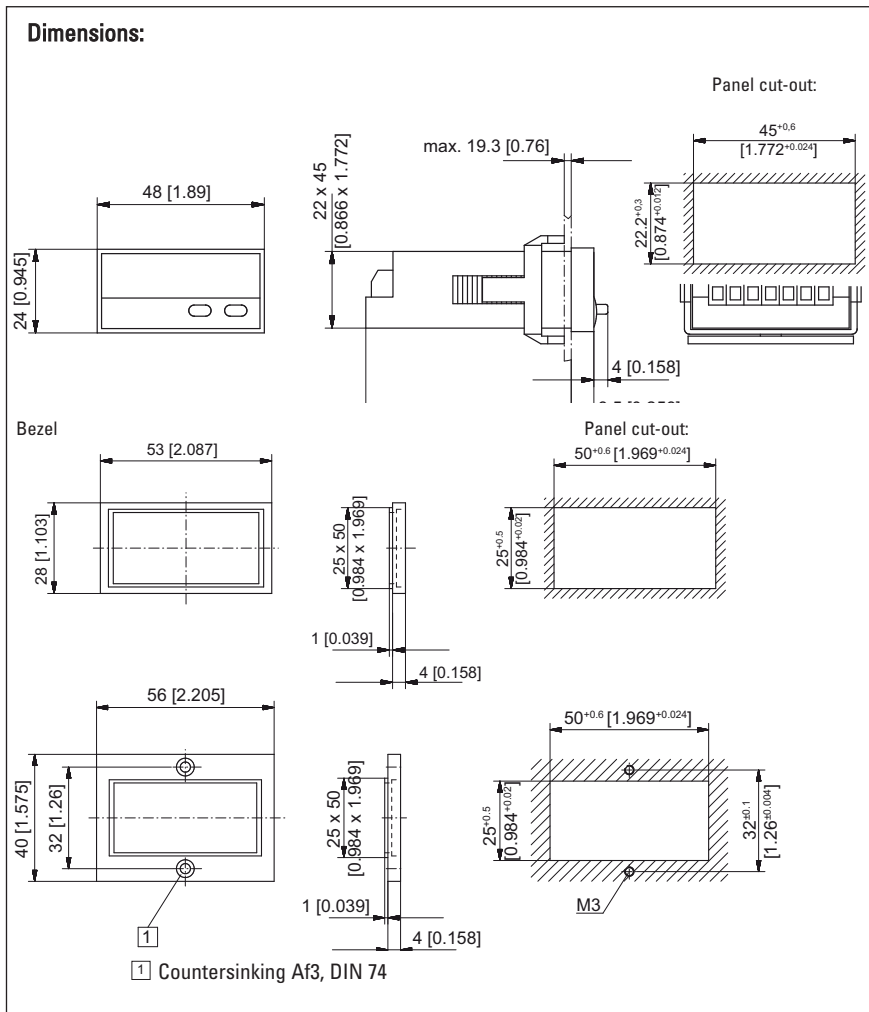
Connection supply voltage and Latch input



Thermocouple sensor

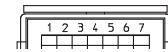


LED Temperature Displays – Codix 532, for J, K and N thermocouples



Connections:

- 1 10 ... 30 V DC supply voltage
- 2 0 V DC GND
- 3 Latch input
- 4 n.c.
- 5 Thermocouple "+"
- 6 n.c.
- 7 Thermocouple "-"



Fields of application

- Cabinet cooling
- Bakery plants
- Drying plants/ovens
- Packaging machines
- Machine tools and plastic processing machines
- Chemical and pharmaceutical plants
- Food and drink processing machines
- Semiconductor industry
- Power supply and air conditioning
- Paper machines
- Glass production machines

Delivery includes:

- Digital display
- Panel mounting clip
- Bezel for clip mount, panel cut-out 50 x 25 mm [1.969 x 0.984"]
- Bezel for screw mount, panel cut-out 50 x 25 mm [1.969 x 0.984"]
- Gasket
- 1 set of self-adhesive symbols
- Multilingual operating instructions

Order Code:

Codix 532: 6.532.012.300 *

Accessories see chapter accessories