

Standard Timers – HB 27



- 7-digit hour meter
- High shock and impact resistance
- Without reset
- Magnified figures (4.5 mm) [0.177"]
- Data retention even if power is lost
- Long service life

Applications:

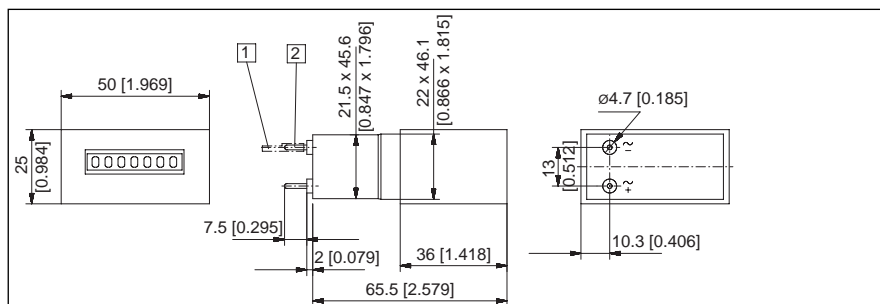
general counting, service interval for measurement systems (respiratory ventilators, oxygen machines, dialysis machines), small appliances, UV lamps, display panels in cars.

Technical data:

Electrical connection:	Cable: 2 x 0.5 mm ² [0.00077 square yards], NYFAZ, 0.5 m [0.547 yard] long AC: grey/grey DC: red +, black– Type HB 27.00.3 with round pins (can be plugged into socket box 945.2) Test voltage: 2000 V AC, 50 Hz for AC-counters
Power consumption:	10 ... 30 V DC: approx. 500 mW 36 ... 80 V DC: approx. 900 mW 100 ... 130 V DC: approx. 750 mW 20 ... 30 V AC: approx. 0.3 VA 42 ... 48 V AC: approx. 0.25 VA 100 ... 130 V AC: approx. 0.6 VA 187 ... 264 V AC: approx. 1.2 VA 360 ... 440 V AC: approx. 1.65 VA
Rated voltages:	20...30/42...48/100...130/187...264/360...440 V AC, 50 or 60 Hz, 10...30/36...80/100...130 V DC
Display:	AC: 7; 99999,99 h, DC: 7; 999999,9 h
Accuracy:	AC: Supply frequency + 30 ms DC: < 0.003 % (24 h)
Height of figures:	4.5 mm [0.177"]
Colour of figures:	white and red on black
Ambient temperature:	–15° ... +50 °C [5 ... 122 °F]
Mounting position:	any

Protection:	up to IP 51 front side sealing cover K1: IP 54 (front) transparent cover Dv U. Dvs: IP 55 (front)
Housing:	plastic
Weight:	approx. 45 g [1.587 oz]
Options:	extended temperature range on request tin plated round pins ø1.5 mm [0.059"] with push on connectors, Art-No.: 3.205.X01.XXX flat pin 0.8 x 6.3 mm [0.032 x 0.142"] flat pin 0.8 x 2.8 mm [0.032 x 0.11"] with push on connectors Art-No.: 3.207.X01.XXX
Accessories:	socket box 945.2 Art-No.: G.008.434 sealing cover K1 black Art-No.: G.008.301
Front bezel:	F1B black Art-No.: G.007.502
Dummy housing:	25 x 50 mm [0.984 x 1.969"] black: Art-No.: T.005.753

HB 27.00.3



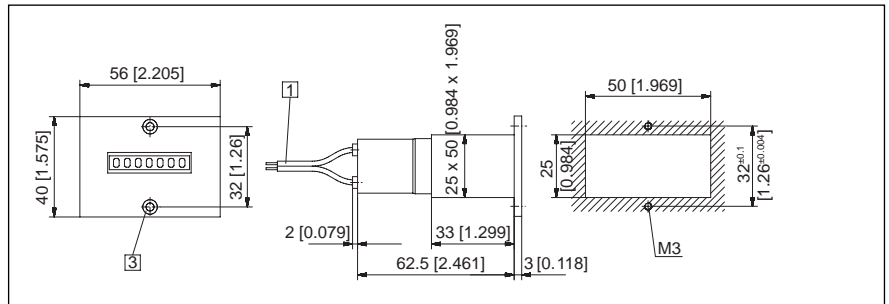
Voltage	Art-No. (AC), 50 Hz	Art-No. (AC), 60 Hz	Art-No. (V DC)
10 ... 30			3.205.001.351*
20 ... 30	3.205.001.071	3.205.001.081	
36 ... 80			3.205.001.353
42 ... 48	3.205.001.072	3.205.001.082	
100 ... 130	3.205.001.074	3.205.001.084	3.205.001.381
187 ... 264	3.205.001.075	3.205.001.085	
360 ... 440	3.205.001.079	3.205.001.089	

- 1 Push-on connector ø 1.5 [0.059"] tin plated
2 Round pin ø 1.5 [0.059"] tin plated

*standard stock model

Standard Timers – HB 27

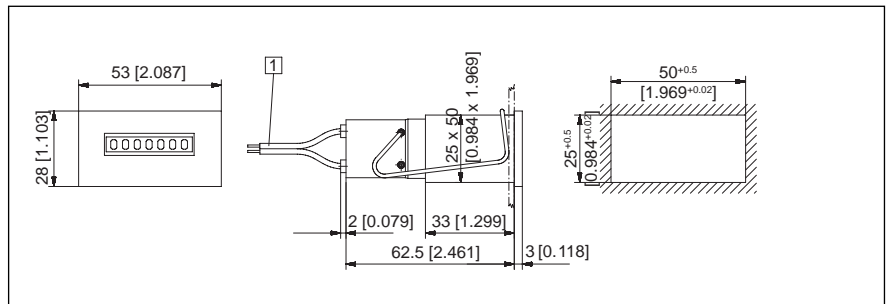
HB 27.10



Voltage	Art-No. (AC), 50 Hz	Art-No. (AC), 60 Hz	Art-No. (V DC)
10 ... 30			3.200.101.351
20 ... 30	3.200.101.071	3.200.101.081	
36 ... 80			3.200.101.353
42 ... 48	3.200.101.072	3.200.101.082	
100 ... 130	3.200.101.074	3.200.101.084	3.200.101.381
187 ... 264	3.200.101.075	3.200.101.085	
360 ... 440	3.200.101.079	3.200.101.089	

- 1 Connection cable 2 x 0.5 mm² [0.00077 square yards], NYFAZ, 0.5 m [0.547 yard] long
- 3 Countersunk Af3, DIN 74

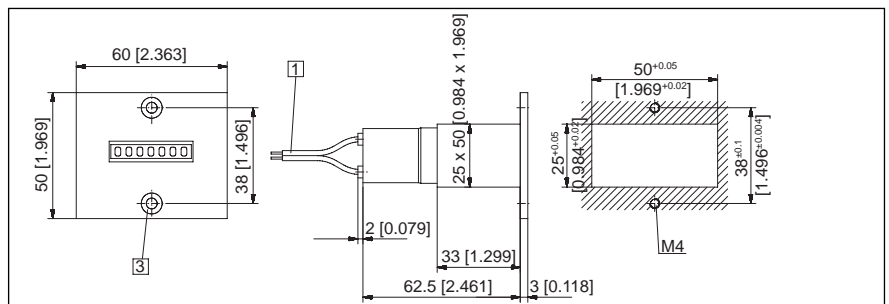
HB 27.20



Voltage	Art-No. (AC), 50 Hz	Art-No. (AC), 60 Hz	Art-No. (V DC)
10...30			3.200.201.351*
20...30	3.200.201.071	3.200.201.081	
36...80			3.200.201.353
42...48	3.200.201.072	3.200.201.082	
100...130	3.200.201.074	3.200.201.084	3.200.201.381
187...264	3.200.201.075*	3.200.201.085	
360...440	3.200.201.079	3.200.201.089	

- 1 Connection cable 2 x 0.5 mm² [0.00077 square yards], NYFAZ, 0.5 m [0.547 yard] long
- Further stock models:
 3.207.201.075 187 ... 264 V AC
 Flat pins: 0.8 x 2.8 mm

HB 27.30



Voltage	Art-No. (AC), 50 Hz	Art-No. (AC), 60 Hz	Art-No. (V DC)
10 ... 30			3.200.301.351
20 ... 30	3.200.301.071	3.200.301.081	
36 ... 80			3.200.301.353
42 ... 48	3.200.301.072	3.200.301.082	
100 ... 130	3.200.301.074	3.200.301.084	3.200.301.381
187 ... 264	3.200.301.075	3.200.301.085	
360 ... 440	3.200.301.079	3.200.301.089	

- 1 Connection cable 2 x 0.5 mm² [0.00077 square yards], NYFAZ, 0.5 m [0.547 yard] long
- 3 Countersunk Af3, DIN 74

*standard stock model