

DIN Formate Timers – HK 17



- 7- or 8-digit hour meter for AC or DC voltage
- Without reset
- High shock resistance
- Small dimensions
- Magnified figures
- Protection IP 65 front side
- Data retention if power is lost
- Long service life
- UL-approved

Applications:

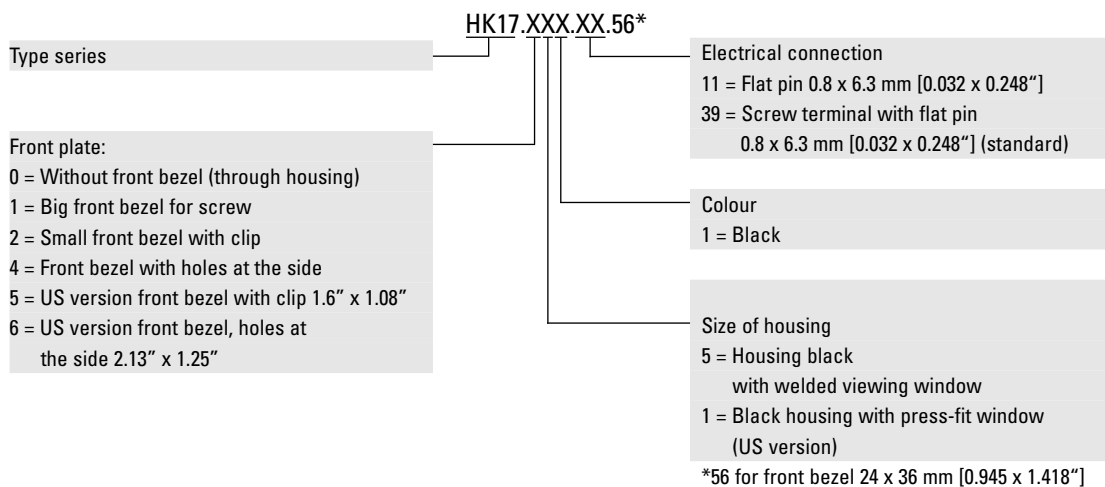
general counting, service interval for measurement systems (respiratory ventilators, oxygen machines, dialysis machines), small appliances, UV lamps, display panels in cars.

Technical data:

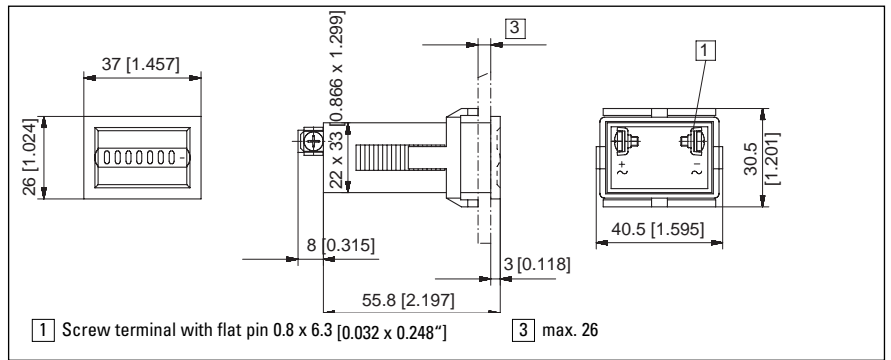
Electrical connection:	flat pins 0.8 x 6.3 mm [0.032 x 0.248"] with screw terminals or flat pins 0.8 x 6.3 mm [0.032 x 0.248"] tightening torque max. 0,8 Nm	Accuracy:	AC: supply frequency +30 ms DC: <0.003 % (at 24 h)
Power consumption:	10 ... 30 V DC: approx. 500 mW 36 ... 80 V DC: approx. 900 mW 100 ... 130 V DC: approx. 750 mW 20 ... 30 V AC, 50 Hz: approx. 0.3 VA 42 ... 48 V AC, 50 Hz: approx. 0.25 VA 100 ... 130 V AC, 50 Hz: approx. 0.6 VA 187 ... 264 V AC, 50 Hz: approx. 1.2 VA 360 ... 440 V AC, 50 Hz: approx. 1.65 VA	Height of figures:	3.8 x 1.7 mm [1.496 x 0.67] magnified
Rated voltages:	20 ... 30, 42 ... 48, 100 ... 130, 187 ... 264, 360 ... 440 V AC 50 or 60 Hz, 10 ... 30, 36 ... 80, 100 ... 130 V DC	Colour of figures:	white and red on black
Display:	7 for AC: 99999.99 8 for DC: 999999.99	Ambient temperature:	-15 ... +50 °C [5 ... 122 °F]
		Mounting position:	any
		Protection:	IP 65 front side
		UL:	File E128604 *
		Housing:	plastic, types with protection IP 65 are sealed
		Weight:	approx. 40 g [1.411 oz]
		Options:	counter with flat pin 0.8 x 6.3 mm [0.032 x 0.248"] Art. no. 3.138.X51.XXX

* The version 360 ... 440 V AC is not UL listed

Order code:

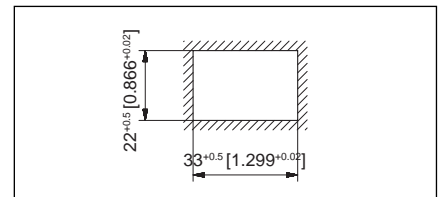


HK 17.251.39

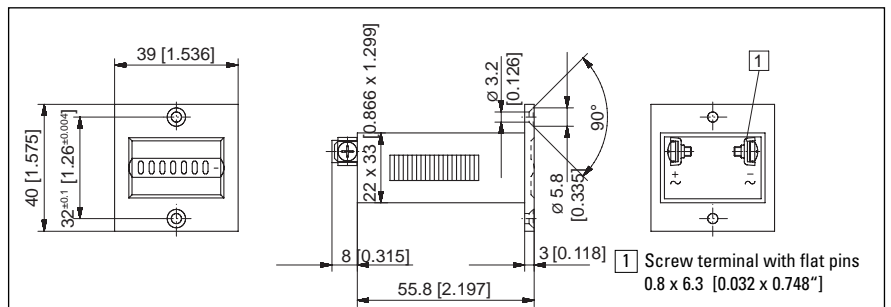
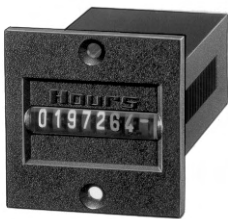


Voltage	Art-No. (AC), 50 Hz	Art-No. (AC), 60 Hz	Art-No. (V DC)
10 ... 30			3.130.251.351*
20 ... 30	3.130.251.071	3.130.251.081	
36 ... 80			3.130.251.353
42 ... 48	3.130.251.072	3.130.251.082	
100 ... 130	3.130.251.074	3.130.251.084	3.130.251.381
187 ... 264	3.130.251.075 *	3.130.251.085	
360 ... 440	3.130.251.079	3.130.251.089	

Panel cut-out

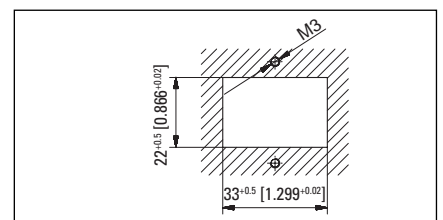


HK 17.151.39

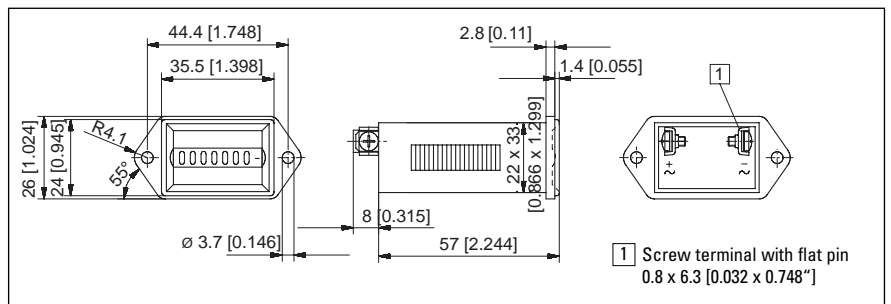
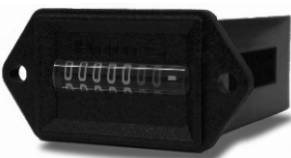


Voltage	Art-No. (AC), 50 Hz	Art-No. (AC), 60 Hz	Art-No. (V DC)
10 ... 30			3.130.151.351*
20 ... 30	3.130.151.071	3.130.151.081	
36 ... 80			3.130.151.353
42 ... 48	3.130.151.072	3.130.151.082	
100 ... 130	3.130.151.074	3.130.151.084	3.130.151.381
187 ... 264	3.130.151.075	3.130.151.085	
360 ... 440	3.130.151.079	3.130.151.089	

Panel cut-out

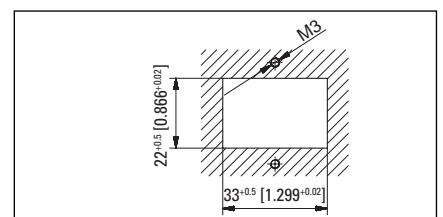


HK 17.451.39

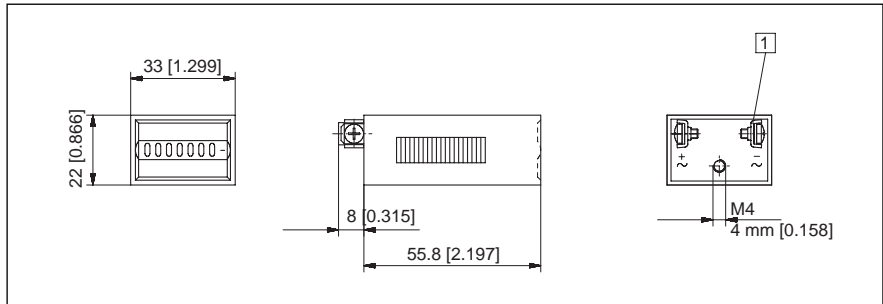
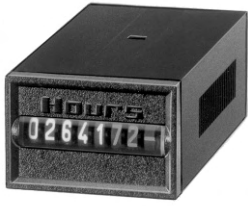


Voltage	Art-No. (AC), 50 Hz	Art-No. (AC) 60 Hz	Art-No. (V DC)
10...30			3.130.451.351
20...30	3.130.451.071	3.130.451.081	
36...80			3.130.451.353
42...48	3.130.451.072	3.130.451.082	
100...130	3.130.451.074	3.130.451.084	3.130.451.381
187...264	3.130.451.075*	3.130.451.085	
360...440	3.130.451.079	3.130.451.089	

Panel cut-out



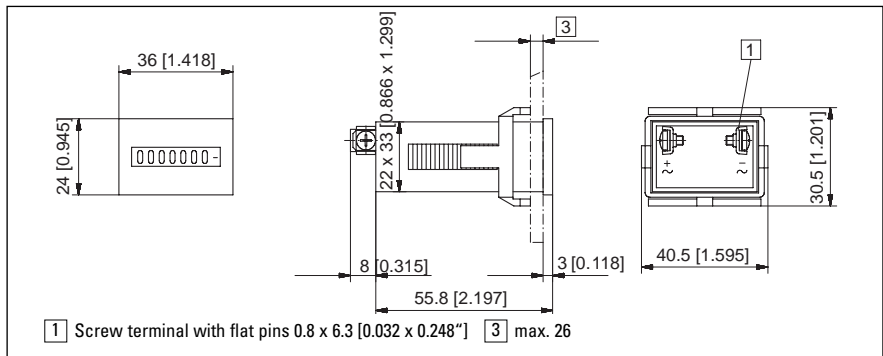
HK 17.051.39



Voltage	Art-No. (AC), 50 Hz	Art-No. (AC), 60 Hz	Art-No. (V DC)
10 ... 30			3.130.051.351
20 ... 30	3.130.051.071	3.130.051.081	
36 ... 80			3.130.051.353
42 ... 48	3.130.051.072	3.130.051.082	
100 ... 130	3.130.051.074	3.130.051.084	3.130.051.381
187 ... 264	3.130.051.075	3.130.051.085	
360 ... 440	3.130.051.079	3.130.051.089	

1 Screw terminal with flat pins 0.8 x 6.3 [0.032 x 0.248"]

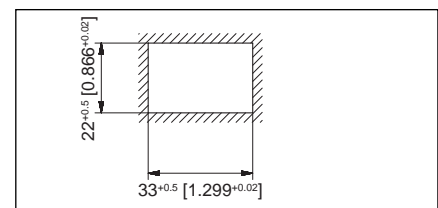
HK 17.251.39.56



1 Screw terminal with flat pins 0.8 x 6.3 [0.032 x 0.248"] 3 max. 26

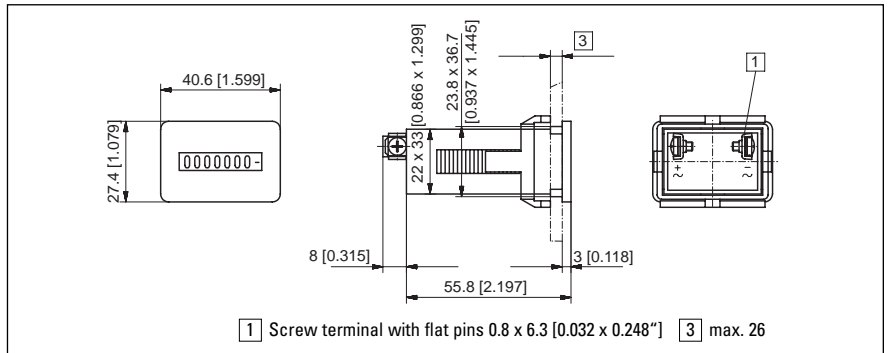
Voltage	Art-No. (V AC), 50 Hz	Art-No. (V AC), 60 Hz	Art-No. (V DC)
10 ... 30			3.130.251.351.056*
20 ... 30	3.130.251.071.056	3.130.251.081.056	
36 ... 80			3.130.251.353.056
42 ... 48	3.130.251.072.056	3.130.251.082.056	
100 ... 130	3.130.251.074.056	3.130.251.084.056	3.130.251.381.056
187 ... 264	3.130.251.075.056*	3.130.251.085.056	
360 ... 440	3.130.251.079.056	3.130.251.089.056	

Panel cut-out



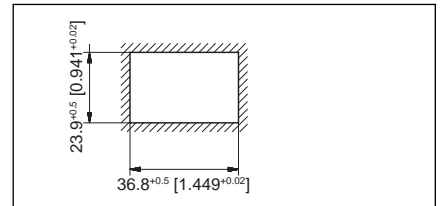
*standard stock model

HK 17.511

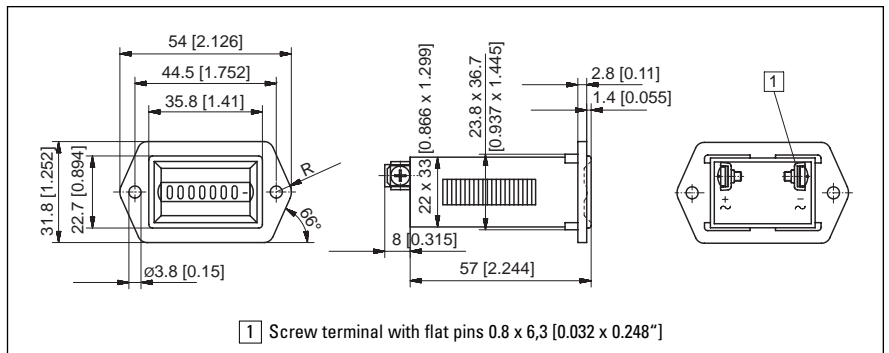
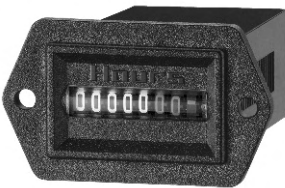


Voltage	Art-No. (AC), 50 Hz	Art-No. (AC), 60 Hz	Art-No. (V DC)
10 ... 30			3.130.511.351
20 ... 30	3.130.511.071	3.130.511.081	
36 ... 80			3.130.511.353
42 ... 48	3.130.511.072	3.130.511.082	
100 ... 130	3.130.511.074	3.130.511.084	3.130.511.381
187 ... 264	3.130.511.075	3.130.511.085	
360 ... 440	3.130.511.079	3.130.511.089	

Panel cut-out



HK 17.611



Voltage	Art-No. (AC), 50 Hz	Art-No. (AC), 60 Hz	Art-No. (V DC)
10 ... 30			3.130.611.351
20 ... 30	3.130.611.071	3.130.611.081	
36 ... 80			3.130.611.353
42 ... 48	3.130.611.072	3.130.611.082	
100 ... 130	3.130.611.074	3.130.611.084	3.130.611.381
187 ... 264	3.130.611.075	3.130.611.085	
360 ... 440	3.130.611.079	3.130.611.089	

Panel cut-out

