

## Timers, round – HR 76



- 6-digit hour meter for round panel cut out
- Low cost
- **High shock resistance**
- Low power consumption
- Small dimension
- Magnified figures
- Waterproof
- Protection IP 65
- Data retention if power is lost
- Long service life
- UL-approval

### Applications

Hours-run measurement with construction and agricultural machinery, compressors, power units

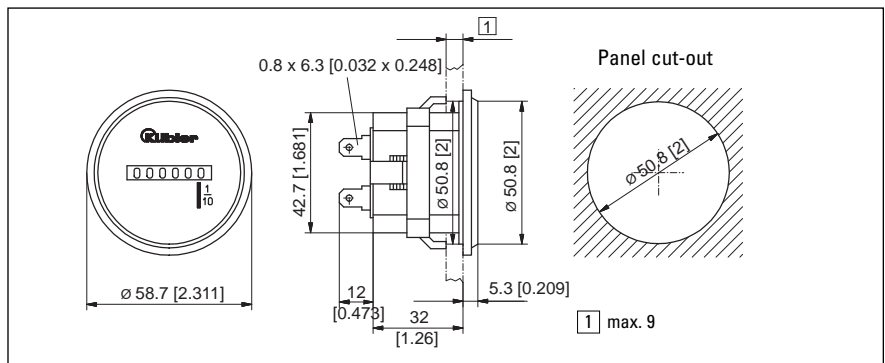
### Technical data:

Electrical connection:	Flat pins 0.8 x 6.3 mm [0.032 x 0.248"]	Reset:	no
Power consumption:	AC: max. 0.4 VA 12 V DC: max. 0.08 W 48 V DC: max. 0.7 W	Ambient temperature:	-30 ... +65 °C [-22 ... 149 °F]
Rated voltages:	115/230 V AC, ±10 %, 50/60 Hz, 10 ... 80 V DC	Mounting position:	any
On time:	100 %	Protection:	IP 65
Display:	6 (99999.9 h)	Housing:	plastic
Count mode:	adding	Weight:	HR 76.1: 56 g [1.975 oz] HR 76.2: 54 g [1.905 oz]
Height of figures:	3.5 mm [0.138"]	Options:	accuracy: < 0.02 % over the full range
Colour of figures:	white on black	UL:	E128604

### HR 76.2

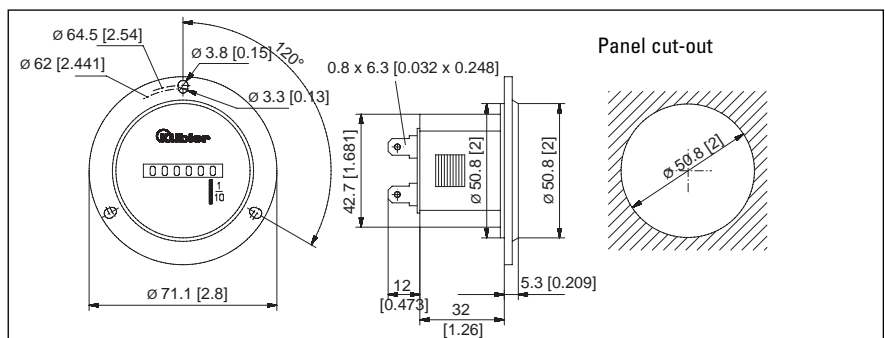


For mounting the counter onto a flat plate, see Accessories Chapter  
Art.-N°.: N 510 199



V	Art.-No. (AC, 50/60 Hz)	Art.-No. (DC)
10 ... 80		0.135.200.373
115	0.135.200.301	
230	0.135.200.302 *	

### HR 76.1



V	Art.-No. (AC, 50/60 Hz)	Art.-No. (DC)
10 ... 80		0.135.100.373*
115	0.135.100.301*	
230	0.135.100.302*	

separate front cover sealing gasket  
N511 150

\*standard stock model