

# Multifunction Counters, electromechanical

Dual Function

Energy and Time

HW 66 / HW 66 M

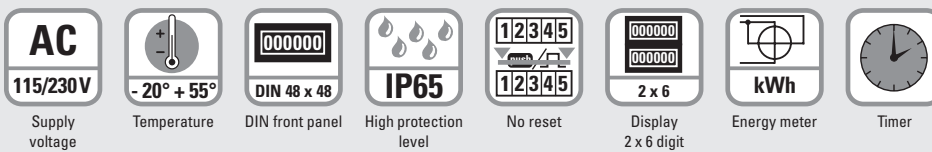


The HW 66 and HW 66 M combination meters consist of an hour meter and an energy meter.

These panel-mounted devices require only a limited installation depth and can be used in a wide variety of application areas. The count pulses can be read out via the SO output.

**Additional model:**  
MID version for applications requiring official calibration.

MID approved



## Product features

- Metering of hours run and energy consumption in one compact device – Panel mounting
- Wide temperature range
- Remote readout via SO outputs on request
- Shows both values in parallel
- Easy-to-read display – can also be read if no voltage present

## Benefits

- Tamper-proof fixed installation with high degree of protection
- High measuring accuracy
- Can be officially calibrated (MID)

## Applications

Dehumidifiers, hire equipment and machinery, air-conditioning, production equipment, current generators

## Order codes

	voltage	Order-no.	Delivery includes	MID version
HW 66	230 V AC	3.563.201.075 <sup>1)</sup>	- Counter	
HW 66	115 V AC	3.563.201.074 <sup>1)</sup>	- Gasket	
MID version:			- Mounting clip	
HW 66 M	230 V AC	3.56M.201.075 <sup>1)</sup>		



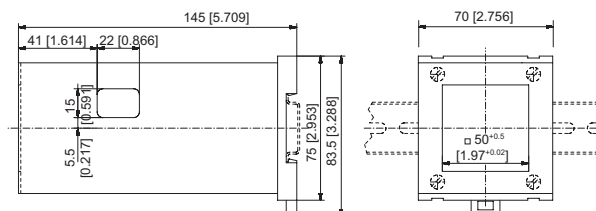
## Accessories

### Mounting panel for rail mounting 35 mm

(Applications include for example control cabinets)



For cut-out 45 x 45 mm (Adapter bezel is included in the delivery)  
Construction: Mounting panel for counter: chromate passivation sheet steel  
Top hat DIN rail adapter: glass fibre reinforced polyamide



G.300.003

### Adapter bezel 55 x 55 mm

For cut-out 50 x 50 mm to 45 x 45 mm

black

T.008.171

### Adapter bezel 45

With screw fixing for cut-out 50 x 50 mm to 45 x 45 mm

T.008.860

### Adapter bezel Ø 72 mm

For panel cut-out Ø 60 mm

black

N.510.226

### Adapter bezel 72 x 72 mm

For cut-out 68 x 68

black

T.008.177

Suitable gaskets as well as further accessories can be found in the Accessories section or in the Accessories area of our website at: [www.kuebler.com/accessories](http://www.kuebler.com/accessories).

<sup>1)</sup> Standard stock model

# Multifunction Counters, electromechanical

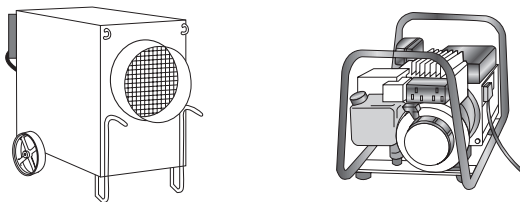
<b>Dual Function</b>	<b>Energy and Time</b>	<b>HW 66 / HW 66 M</b>
----------------------	------------------------	------------------------

General technical data	
<b>Supply voltage</b>	115/230 V AC, -20 % / +15 % 50 or 60 Hz
<b>Digits</b>	2 x 6 digit (single units digit red)
<b>Height of figures (optical)</b>	4 x 1,7 mm
<b>Colour of figures</b>	white and red on black
<b>Operating temperature</b>	-20°C ... +55°C
<b>Storage temperature</b>	-25°C ... +65°C
<b>Housing</b>	DIN panel-mount 48 x 48 mm
<b>Depth</b>	55 mm
<b>Standard</b>	EN 50470-1 and EN 50470-3
<b>Protection</b>	IP65, EN 60529 front
<b>Connections</b>	screw terminal, touch-safe
<b>Max. core cross-section</b>	inputs/outputs 2,5 mm <sup>2</sup> S0 output 2,5 mm <sup>2</sup>
<b>LED function</b>	LED ON when power supply is connected LED blinks when energy is being measured

Energy meter	
<b>Display</b>	99999.9 kWh
<b>Accuracy</b>	Class B, acc. to MID (for 50 Hz version)
<b>Current</b>	I <sub>B</sub> = 5 A, I <sub>max</sub> = 16 A
<b>Current limits</b>	> 20 mA up to 16 A
<b>Start current</b>	> 20 mA
<b>S0 output</b>	1000 pulses/kWh, 5 ... 30 V DC, I <sub>max</sub> = 20 mA

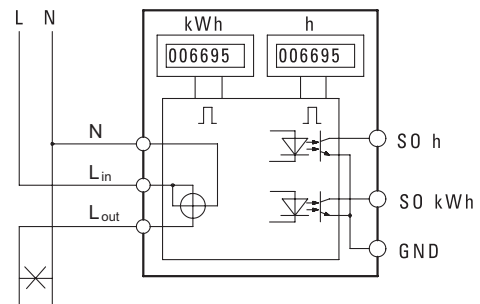
Hour meter	
<b>Display</b>	99999.9 h (0,1 h = 6 min)
<b>Accuracy</b>	± 2 %
<b>S0 output</b>	10 Imp./h, 5 ... 30 V DC, I <sub>max</sub> = 20 mA
<b>Start</b>	with voltage applied to L <sub>in</sub>

## Applications

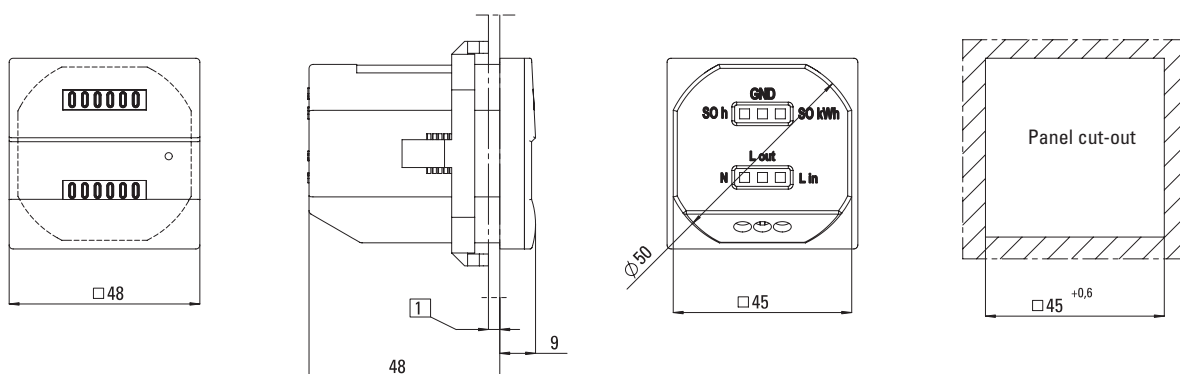


Retro- or standard fitting in dehumidifiers, current generators, air-conditioning, production equipment etc. for the accurate, traceable billing of operating and energy costs – especially also for hire equipment.

## Terminal assignment



## Dimensions



1 max. 6,5