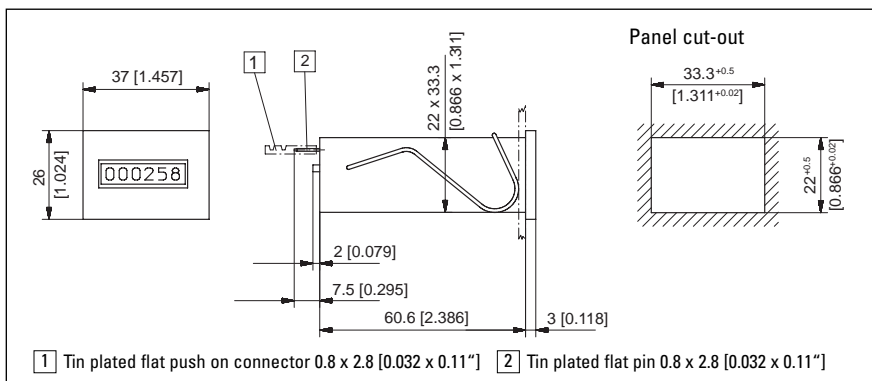




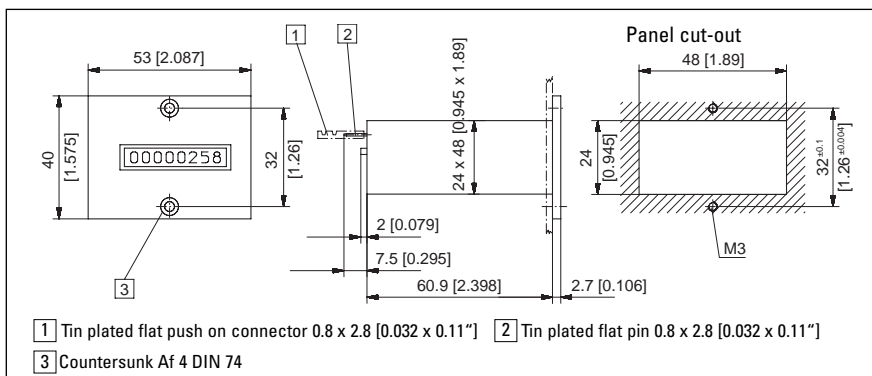
## Type Mk 16.20



MK 16.20 (6-digit)	12 V Art. no.	24 V Art. no.	115 V Art. no.	230 V Art. no.
DC (10 Imp/s)	1.330.200.012	1.330.200.013		
DC (25 Imp/s)	1.330.200.032	1.330.200.033		
AC (18 Imp/s)		1.330.200.061	1.330.200.064	1.330.200.066

Colour of housing black:  
Art. no. 1.330.201.XXX

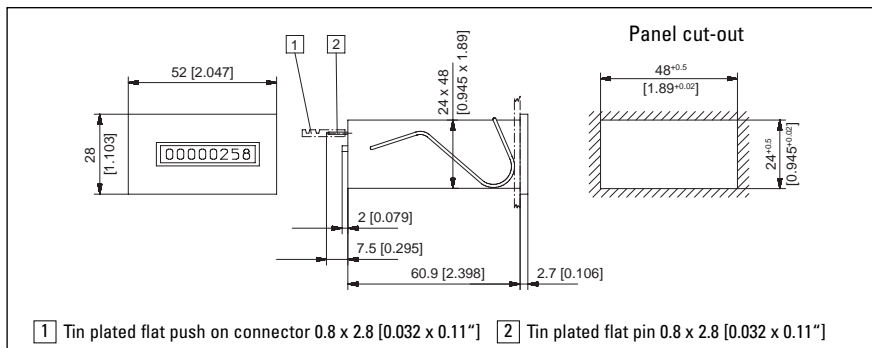
## Type Mk 18.10



MK 18.10 (8-digit)	12 V Art. no.	24 V Art. no.	115 V Art. no.	230 V Art. no.
DC (10 Imp/s)	1.360.100.012	1.360.100.013		
DC (25 Imp/s)	1.360.100.032	1.360.100.033		
AC (18 Imp/s)		1.360.100.061	1.360.100.064	1.360.100.066

Colour of housing black:  
Art. no. 1.360.101.XXX

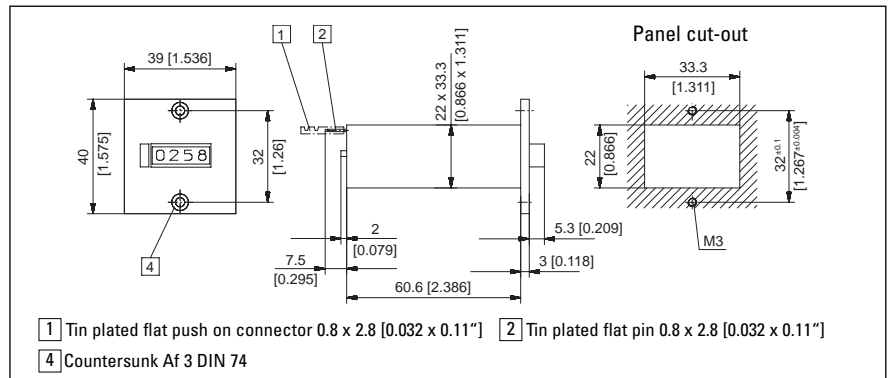
## Type Mk 18.20



MK 18.20 (8-digit)	12 V Art. no.	24 V Art. no.	115 V Art. no.	230 V Art. no.
DC (10 Imp/s)	1.360.200.012	1.360.200.013		
DC (25 Imp/s)	1.360.200.032	1.360.200.033		
AC (18 Imp/s)		1.360.200.061	1.360.200.064	1.360.200.066

Colour of housing black:  
Art. no. 1.360.201.XXX

## Type Mk 14.11

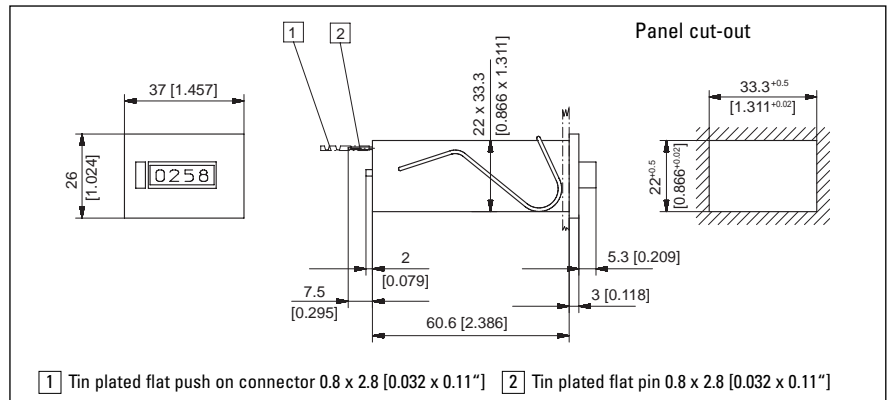


manual 0 reset

MK 14.11 (4-digit)	12 V Art. no.	24 V Art. no.	115 V Art. no.	230 V Art. no.
DC (10 Imp/s)	1.310.110.012	1.310.110.013		
DC (25 Imp/s)	1.310.110.032	1.310.110.033		
AC (18 Imp/s)		1.310.110.061	1.310.110.064	1.310.110.066

Colour of housing black:  
Art. no. 1.310.111.XXX

## Type Mk 14.21

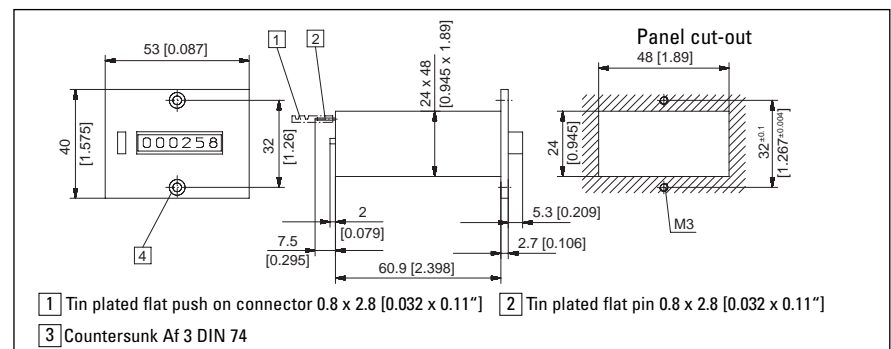


manual 0 reset

MK 14.21 (4-digit)	12 V Art. no.	24 V Art. no.	115 V Art. no.	230 V Art. no.
DC (10 Imp/s)	1.310.210.012	1.310.210.013		
DC (25 Imp/s)	1.310.210.032	1.310.210.033		
AC (18 Imp/s)		1.310.210.061	1.310.210.064	1.310.210.066

Colour of housing black:  
Art. no. 1.310.211.XXX

## Type Mk 16.11

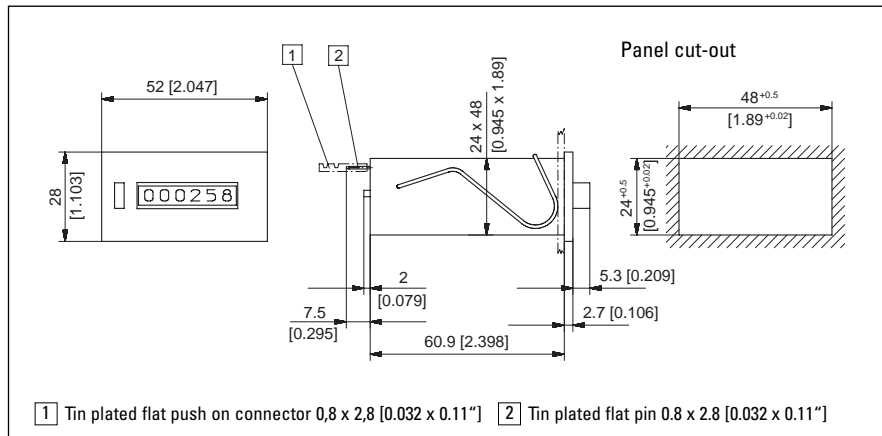


manual 0 reset

MK 16.11 (6-digit)	12 V Art. no.	24 V Art. no.	115 V Art. no.	230 V Art. no.
DC (10 Imp/s)	1.340.110.012	1.340.110.013		
DC (25 Imp/s)	1.340.110.032	1.340.110.033		
AC (18 Imp/s)		1.340.110.061	1.340.110.064	1.340.110.066

Colour of housing black:  
Art. no. 1.340.111.XXX

## Type Mk 16.21

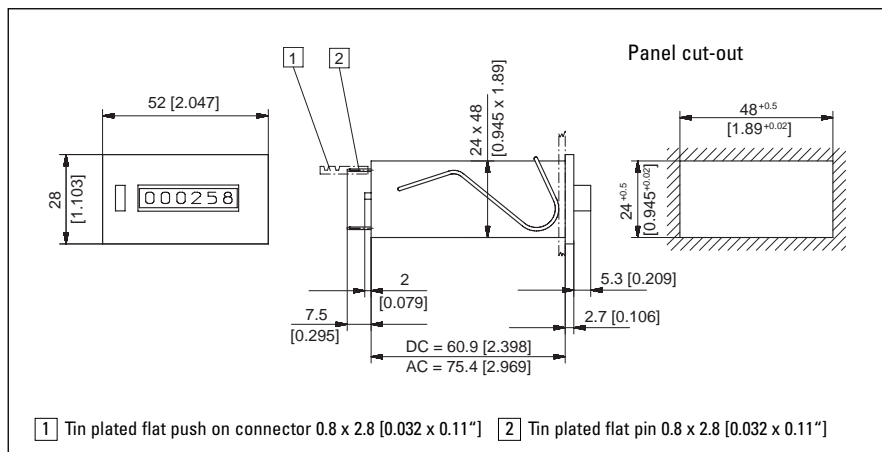


manual 0 reset

MK 16.21 (6-digit)	12 V Art. no.	24 V Art. no.	115 V Art. no.	230 V Art. no.
DC (10 Imp/s)	1.340.210.012	1.340.210.013		
DC (25 Imp/s)	1.340.210.032	1.340.210.033		
AC (18 Imp/s)		1.340.210.061	1.340.210.064	1.340.210.066

Colour of housing black:  
Art. no. 1.340.211.XXX

## Type Mk 16.23



manual and electrical 0 reset

MK 16.23 (6-digit)	12 V Art. no.	24 V Art. no.	115 V Art. no.	230 V Art. no.
DC (10 Imp/s)	1.340.230.012	1.340.230.013		
DC (25 Imp/s)	1.340.230.032	1.340.230.033		
AC (18 Imp/s)		1.340.230.061	1.340.230.064	1.340.230.066

Colour of housing black:  
Art. no. 1.340.231.XXX