

FMH 18

Photoelectric proximity sensor with background suppression



PRODUCT HIGHLIGHTS

- Scanning distance: 40 ... 120 mm
- Red light, 660 nm
- Background suppression
- Robust metal housing
- Metal M18 threaded sleeve
- Antivalent switching outputs

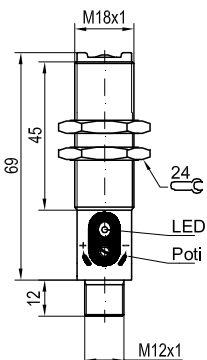
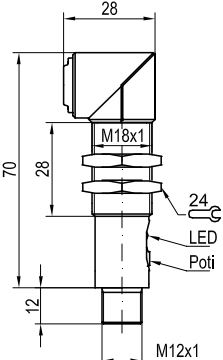
Optical data		Functions	
Scanning distance	40 ... 120 mm ¹	Indicator LED, yellow	Switching state indicator
Type of light	Red, 660 nm	Scanning distance adjustment	Via 18-step potentiometer
Light spot size	8 x 10 mm ²		
Electrical data		Mechanical data	
Operating voltage, +U _B	10 ... 30V DC ³	Dimensions	See dimensional drawings
No-load current, I ₀	≤ 30 mA	Dimensions (angled)	See dimensional drawings
Output current, I _e	200 mA	Enclosure rating	IP 67 ⁴
Protective circuits	Reverse-polarity protection, U _B / short-circuit protection	Material, housing	Brass, nickel-plated
Protection Class	2	Material, front screen	Glass
Power On Delay	≤ 300 ms	Type of connection	See Selection Table
Switching output, Q	PNP	Ambient temperature: operation	-20 ... +60 °C
Output function	N.O./N.C.	Ambient temperature: storage	-20 ... +80 °C
Switching frequency, f (ti/tp 1:1)	600 Hz	Weight (plug device)	60 g
Connection, BK	N.O.	Weight (cable device)	160 g
Connection, WH	N.C.		

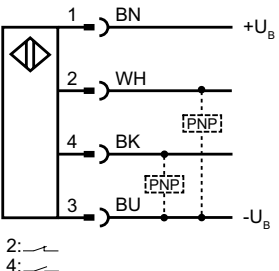
¹ Reference material: Kodak grey, 18 % reflectivity ² At scanning distance of 100 mm ³ 10 % ripple, within U_B ⁴ With connected IP 67 plug

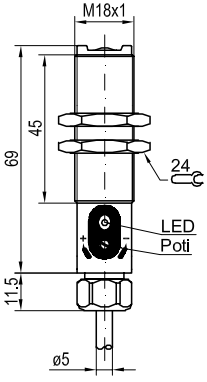
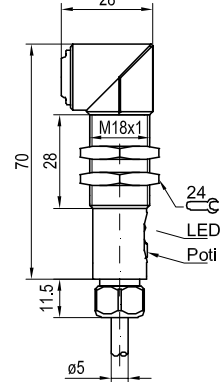
Scanning distance	Light exit	Switching output	Type of connection	Part number	Article number
40 ... 120 mm	Straight	PNP, antivalent	Plug, M12, 4-pin	FMH 18-L4	518-51505
40 ... 120 mm	90° angle	PNP, antivalent	Plug, M12, 4-pin	FMH 18W-L4	518-51507
40 ... 120 mm	Straight	PNP, antivalent	Cable, 3 m, 4-wire	FMH 18	518-51504
40 ... 120 mm	90° angle	PNP, antivalent	Cable, 3 m, 4-wire	FMH 18W	518-51506

Accessories

Connection cables	From Page A-38
Brackets	From Page A-4

<p>Plug connection, FMH 18-L4</p>	<p>Plug connection, FMH 18W-L4</p>
 <p style="text-align: right;">153-00029</p>	 <p style="text-align: right;">153-00030</p>

<p>Connection, 4-pin</p>	<p style="text-align: right;">154-00193</p>
	

<p>Cable connection, FMH 18</p>	<p>Cable connection, FMH 18W</p>
 <p style="text-align: right;">153-00027</p>	 <p style="text-align: right;">153-00028</p>

<p>Connection, 4-wire</p>	<p style="text-align: right;">154-00193</p>
