

# FR 10-R

## Retroreflective photoelectric sensor



### PRODUCT HIGHLIGHTS

- Sub-miniature sensor for installation in the smallest of spaces
- Despite very small sensor housing very long operating range of 1.6 m
- Fast response time: only 500  $\mu$ s
- Static and dynamic teach-in via electronic teach-in button or control line
- Simple mounting and adjustment through innovative dovetail clamp mounting

Optical data		Functions	
Operating range	0.1 ... 1.6 m <sup>1</sup>	Indicator LED green	Operating voltage indicator
Used light	LED, red, 650 nm	Indicator LED yellow	Switching output indicator
Light spot size	See diagram	Sensitivity adjustment	Via Teach-in button and control input <sup>3</sup>
Polarising filter	Yes	Teach-in modes	Mode 1: during running process Mode 2: during standing process
		Adjustment possibilities	N.O./N.C. via Teach-in button and control input <sup>3</sup> Button lock via control input <sup>3</sup>
		Default settings	Max. range and N.O.
Electrical data		Mechanical data	
Operating voltage, +U <sub>B</sub>	10 ... 30V DC <sup>2</sup>	Dimensions	21,1 × 14,6 × 8 mm
No-load current, I <sub>0</sub>	≤ 20 mA	Enclosure rating	IP 67 <sup>4</sup>
Output current, I <sub>e</sub>	≤ 50 mA	Material, housing	PUR
Protective circuits	Reverse-polarity protection, U <sub>B</sub> / short-circuit protection (Q)	Material, front screen	PMMA
Protection class	2	Type of connection	See Selection Table
Power On Delay	< 300 ms	Ambient temperature: operation	-20 ... +60 °C <sup>5</sup>
Switching output, Q	PNP/NPN (see Selection Table)	Ambient temperature: storage	-20 ... +80 °C
Output function	N.O./N.C.	Weight (cable device)	approx. 22 g
Switching frequency, f (ti/tp 1:1)	≤ 1000 Hz	Weight (pigtail)	approx. 10 g
Response time	500 $\mu$ s		
Control input, IN <sup>3</sup>	+U <sub>B</sub> = teach-in -U <sub>B</sub> = button locked Open = normal operation		

<sup>1</sup> Reference material reflector R5

<sup>2</sup> Max. 10 % ripple within U<sub>B</sub>, ~ 50 Hz / 100 Hz

<sup>3</sup> Only 4-pin design

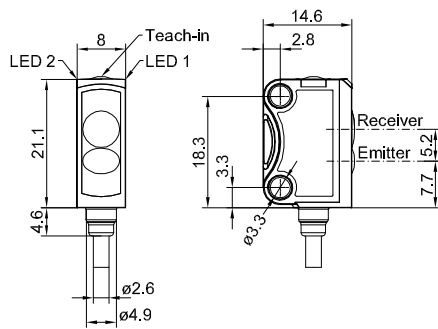
<sup>4</sup> With connected IP 67 plug

<sup>5</sup> UL: -20 ... +30 °C

Operating range	Switching output	Type of connection	Part number	Article number-Nr.
0.1 ... 1.6 m <sup>1</sup>	PNP	Cable, 2 m, 4-wire	FR 10-R-PS-K4	603-11001
0.1 ... 1.6 m <sup>1</sup>	NPN	Cable, 2 m, 4-wire	FR 10-R-NS-K4	603-11004
0.1 ... 1.6 m <sup>1</sup>	PNP	Pigtail, 200 mm with M8 plug, 4-pin	FR 10-R-PS-KM4	603-11002
0.1 ... 1.6 m <sup>1</sup>	NPN	Pigtail, 200 mm with M8 plug, 4-pin	FR 10-R-NS-KM4	603-11005
0.1 ... 1.6 m <sup>1</sup>	PNP	Pigtail, 200 mm with M8 plug, 3-pin	FR 10-R-PS-KM3	603-11003
0.1 ... 1.6 m <sup>1</sup>	NPN	Pigtail, 200 mm with M8 plug, 3-pin	FR 10-R-NS-KM3	603-11006

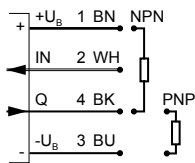
Including dovetail clamp mounting MBD F 10 for all types

### Cable connection



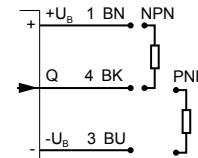
153-01110

### Connection, 4-pin



154-00312

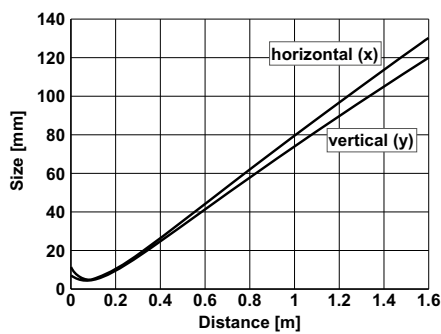
### Connection, 3-pin



154-00311

8

### Light spot size



155-01767

Reflector / Reflective foil*	Operating range (min./max. reflector distance)	Accessories	
R5	0.1 ... 1.6 m	Reflectors Connection cables Brackets	From Page A-18
R1	0.1 ... 1 m		From Page A-38
R2-2LB1	0,15 ... 0,5 m		From Page A-4
R3-2LK1	0,15 ... 0,5 m		
RF-100 KL*	0,15 ... 1 m		