

FR 25-RGO

Retroreflective photoelectric sensor for detection of transparent objects



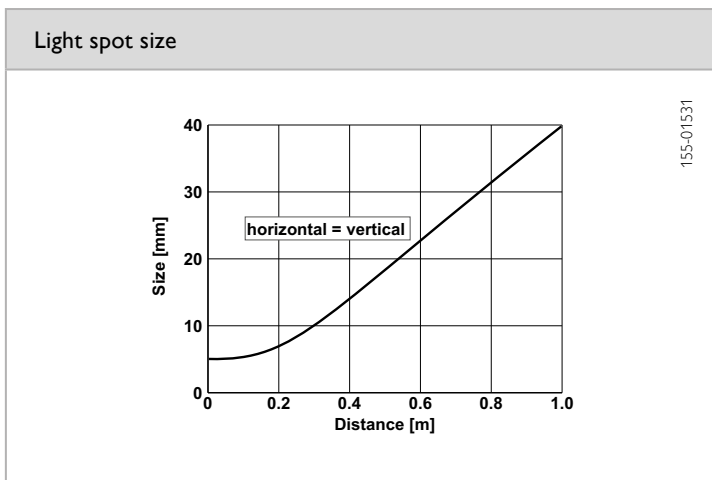
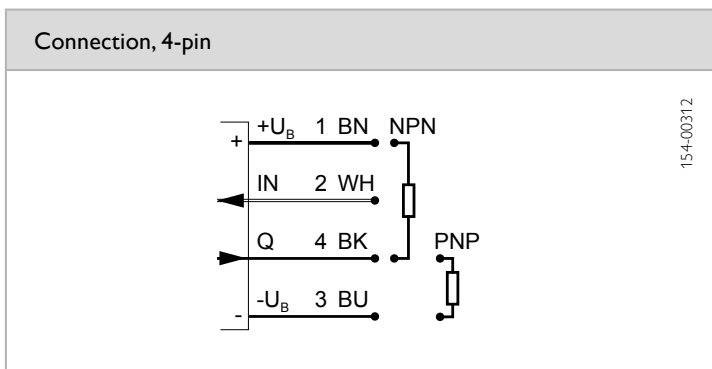
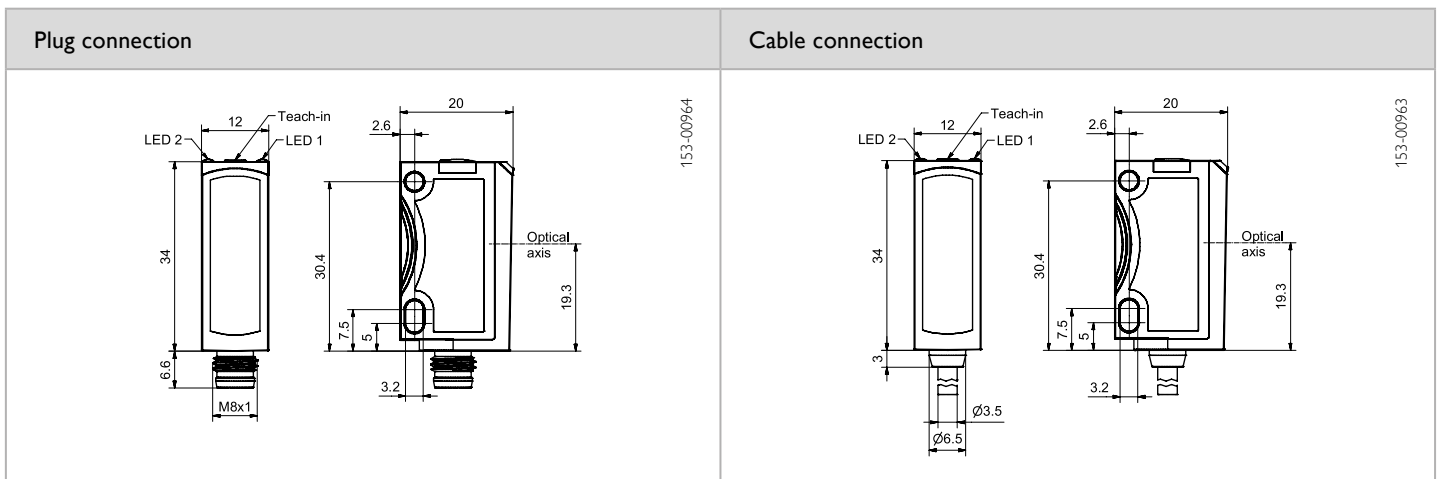
PRODUCT HIGHLIGHTS

- Reliable detection of transparent objects regardless of shape
- Autocollimation principle: reliable and precise detection from a range of 0 mm
- DELTA function (Dynamic Evaluation of Light for Threshold Adaption): dynamic sensor adaptation to changing environmental conditions – dust and dirt have no effect
- Precise and easily visible light spot with sharp contour for easy alignment of the sensor

Optical data		Functions	
Operating range	0 ... 2 m ¹	Indicator LED, green	Operating voltage indicator
Type of light	LED, red, 632 nm	Indicator LED, yellow	Switching output indicator
Polarising filter	Yes	Sensitivity adjustment	Via Teach-in button and control input
		Teach-in modes	Mode 1: during running process Mode 2: during standing process
		Adjustment possibilities	N.O./N.C. via Teach-in button and control input Button lock via control input
		Default settings	Max. range and N.O.
Electrical data		Mechanical data	
Operating voltage, +U _B	10 ... 30V DC ²	Dimensions	34 x 20 x 12 mm
No-load current, I ₀	≤ 30 mA	Enclosure rating	IP 69K & IP 67 ³
Output current, I _e	≤ 100 mA	Material, housing	ABS
Protective circuits	Reverse-polarity protection, U _B / short-circuit protection (Q)	Material, front screen	PMMA
Protection Class	2	Type of connection	See Selection Table
Power On Delay	< 300 ms	Ambient temperature: operation	-20 ... +60 °C ⁴
Switching output, Q	PNP/NPN (see Selection Table)	Ambient temperature: storage	-20 ... +80 °C
Output function	N.O./N.C.	Weight (plug device)	10 g
Switching frequency, f (ti/tp 1:1)	≤ 1000 Hz	Weight (metal plug device ⁵)	10 g
Response time	500 μs	Weight (cable device)	40 g
Control input, IN	+ U _B = teach-in - U _B = button locked Open = normal operation	Vibration and impact resistance	EN 60947-5-2

¹ Reference material: R5/L reflector ² Max. 10 % ripple, within U_B, ~ 50 Hz / 100 Hz ³ With connected IP 67 / IP 69K plug ⁴ UL: -20 ... +50 °C ⁵ No Ecolab

Operating range	Switching output	Type of connection	Part number	Article number
0 ... 2 m	PNP	Plug, M8x1, 4-pin	FR 25-RGO-PS-M4	606-11020
0 ... 2 m	NPN	Plug, M8x1, 4-pin	FR 25-RGO-NS-M4	606-11021
0 ... 2 m	PNP	Metal plug, M8x1, 4-pin	FR 25-RGO-PS-M4M	606-11016
0 ... 2 m	NPN	Metal plug, M8x1, 4-pin	FR 25-RGO-NS-M4M	606-11017
0 ... 2 m	PNP	Cable, 2 m, 4-wire	FR 25-RGO-PS-K4	606-11018
0 ... 2 m	NPN	Cable, 2 m, 4-wire	FR 25-RGO-NS-K4	606-11019
0 ... 2 m	PNP	Pigtail, 150 mm with plug, M8, 4-pin	FR 25-RGO-PS-KM4	606-11030
0 ... 2 m	NPN	Pigtail, 150 mm with plug, M8, 4-pin	FR 25-RGO-NS-KM4	606-11031
0 ... 2 m	PNP	Pigtail, 500 mm with plug, M8, 4-pin	FR 25-RGO-PS-KM4-X04	606-11032



Reflector / Reflective foil*	Operating range (min./max. reflector distance)
R5/L	0.5... 2 m
RF-100 KL*	0 ... 2 m
R2-2LB1	0 ... 500 mm
R3-2LK1	0 ... 500 mm

Accessories

Reflectors	From Page A-18
Connection cables	From Page A-38
Brackets	From Page A-4