

FT 12 RF

Fixed focus photoelectric proximity sensor with background suppression



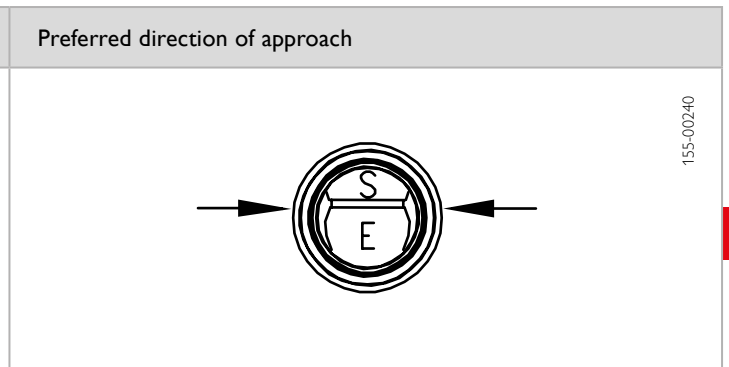
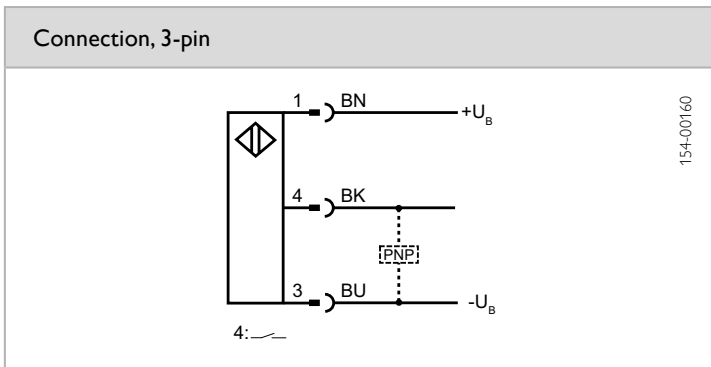
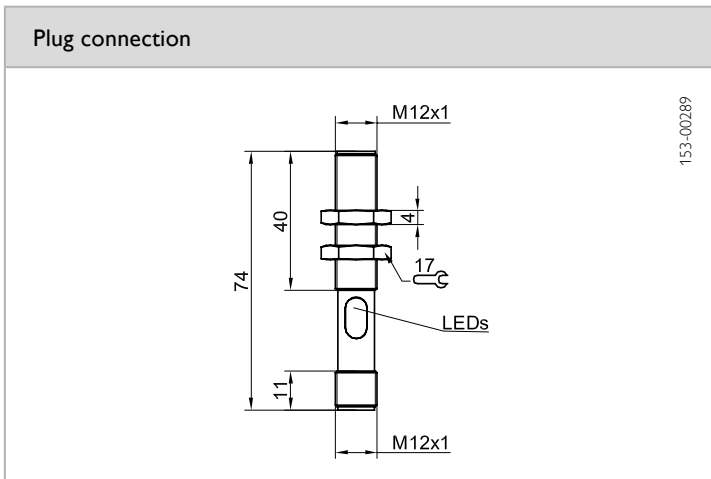
PRODUCT HIGHLIGHTS

- Simple installation thanks to standard M12 metal thread
- High immunity to dirt due to high signal reserves
- Indicator for detection stability

Optical data		Functions	
Scanning distance	24 mm ¹	Indicator LED, green	Operating voltage indicator
Type of light	Red, 660 nm	Indicator LED, yellow	Switching state indicator
Hysteresis (18 %)	< 5 %	Scanning distance adjustment	Fixed setting
Grey value shift (90 % white / 18 % grey)	< 5 %	Default settings	PNP N.O.
Electrical data		Mechanical data	
Operating voltage, +U _b	10 ... 30V DC	Dimensions	M12 x 74 mm
No-load current, I ₀	≤ 25 mA	Enclosure rating	IP 67 ²
Output current, I _e	≤ 100 mA	Material, housing	Brass, nickel-plated
Protective circuits	Reverse-polarity protection, U _b / short-circuit protection	Material, front screen	PMMA
Protection Class	2	Type of connection	See Selection Table
Switching output, Q	PNP	Ambient temperature: operation	-20 ... +60 °C
Output function	N.O.	Ambient temperature: storage	-20 ... +80 °C
Switching frequency, f (ti/tp 1:1)	1000 Hz	Weight (plug device)	30 g
Response time	≤ 500 μs		

¹ Reference material: Kodak white, 90 % reflectivity ²With connected IP 67 plug

Type of connection	Part number	Article number
Plug, M12x1, 4-pin	FT 12 RF-PSL4	506-11004



Accessories

Connection cables	From Page A-38
Brackets	From Page A-4