



V1000 IP66

200 V Single-Phase
0.1 kW to 3.0 kW

400 V Three-Phase
0.2 kW to 18.5 kW

Compact Vector Drive in IP66 protection class

Decentralized solution for variable speed and simple positioning applications without cabinet.

- ▶ No need for costly enclosures against dust, water, oil or other environmental stress. Adding additional components possible within the enclosure – no need for further cabinets.
- ▶ **2 Housing versions**
 - Built in oversize LED operator panel – For best readability and handling with gloves
 - Blank face plate, RJ45 connector for external operator connection
- ▶ Easy installation and wiring
- ▶ Integrated Class C1 EMC filter
- ▶ All features known from standard V1000
 - Control Modes: V/f, V/f with simple PG, Open Loop Vector for Induction and Permanent Magnet Motors
 - Screwless control terminals
 - Dual rating (Heavy/Normal duty) for operation of one size larger motor
 - Induction motor and PM motor control
 - Designed for 10 years of maintenance-free operation
 - DriveWorksEZ – integration of PLC functionality



Applications



Water treatment



Paper mills



Ceramic market

Perfect for wet and dusty working environments that are cleaned with water streams or suitable chemicals.

YASKAWA Europe GmbH
 Drives & Motion Division
 Hauptstr. 185
 65760 Eschborn
 Germany
 Tel: + 49 (0) 6196-569 300
 Fax: + 49 (0) 6196-569 399
 info@yaskawa.eu.com
 www.yaskawa.eu.com



Standard Specifications

CANopen

Modbus®

MECHATROLINK



Inputs

- ▶ 6 Multi-function Inputs, programmable NPN / PNP logic (sink / source)
- ▶ 2 Multi-function Analogue Inputs
1x 0 ... 10 V, 1x 0 ... 10 V / 4 ... 20 mA
Switch selectable
- ▶ 1 Pulse Train Input
0.5 ... 32 kHz, 5 ... 24 V

MEMOBUS/Modbus, RS232, USB, RS422/RS485 up to 115.2 kBaud, Termination resist. (120 Ω) switchable

Outputs

- ▶ 1 Pulse Train Output
0 ... 32 kHz
- ▶ 1 Analogue Output, programmable 0 ... +10V / 2mA, res. 1/1000
- ▶ 2 Photo-coupler Outputs, programmable Max. 48 VDC / 2 ... 50 mA
- ▶ 1 CO Relay Output, programmable 30 VDC, 250 VAC, 10 mA 1A

CC-Link

PROFINET

EtherCAT®

DeviceNet

EtherNet/IP

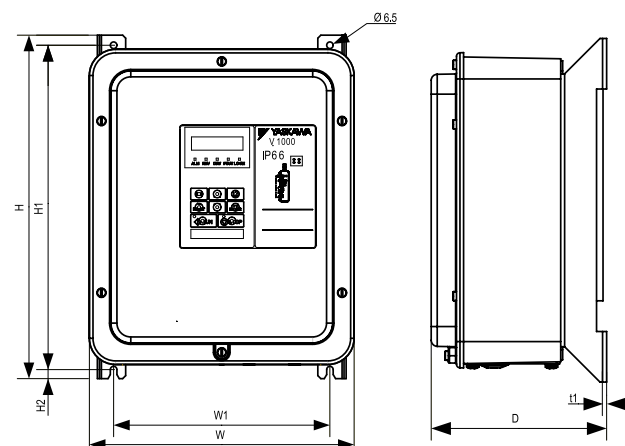


Fig. 1

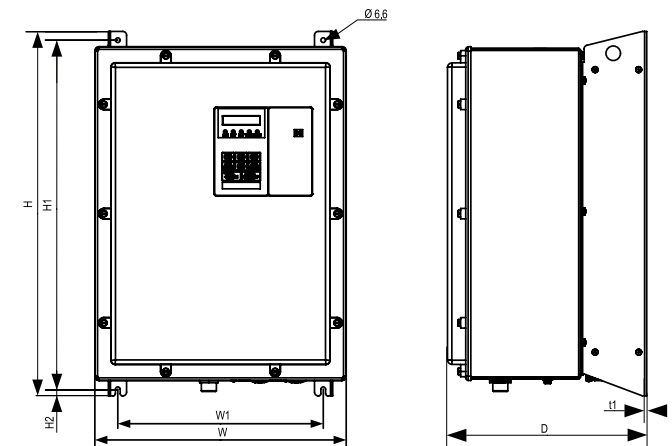


Fig. 2

Drive model	CIMR-VC□□□□□HAA - 0080 (LED operator) CIMR-VC□□□□□HAA - 0081 (Blank face)	Motor Output in kW at ND (HD)*	Figure	Dimensions in mm						
				W	H	D	W1	H1	H2	t1
BA0001 – BA0012		1.8 (0.1) to 3.0 (2.2)	Fig. 1	262	340	173.5	214	321	9	2
4A0001 – 4A0011		0.37 (0.18) to 5.5 (4.0)								
4A0018 – 4A0038		7.5 (5.5) to 18.5 (15.0)	Fig. 2	345	500.5	273.5	282	458.5	10	2

*HD (Heavy Duty), ND (Normal Duty)

Specifications are subject to change without notice for ongoing product modifications and improvements. © YASKAWA Europe GmbH. All rights reserved.

Literature No. YEU_INV_Flyer_V1000_IP66_EN_v3_1111
 Printed in Germany, November 2011